



Futura
SALICE

Futura

| | |
|--------------------------------|---------|
| Fixing | page 7 |
| Technical information | page 8 |
| Part number composition | page 21 |
| Packing | page 22 |



SELF-CLOSING

| | | |
|------------|-----------------------------------|---------|
| 612 | Concealed runner - part-extension | page 24 |
| 615 | Concealed runner - part-extension | page 26 |
| 652 | Concealed runner - full-extension | page 28 |
| 655 | Concealed runner - full-extension | page 30 |



PUSH

| | | |
|-------------|-----------------------------------|---------|
| 6127 | Concealed runner - part-extension | page 34 |
| 6157 | Concealed runner - part-extension | page 36 |
| 6527 | Concealed runner - full-extension | page 38 |
| 6557 | Concealed runner - full-extension | page 40 |



SMOVE

| | | |
|-------------|-----------------------------------|---------|
| 6125 | Concealed runner - part-extension | page 44 |
| 6155 | Concealed runner - part-extension | page 46 |
| 6525 | Concealed runner - full-extension | page 48 |
| 6555 | Concealed runner - full-extension | page 50 |

CONNECTORS

| | | |
|------------|-----------------------------|---------|
| 690 | Connectors - part-extension | page 52 |
| 691 | Connectors - full-extension | page 54 |



Accessories

| | |
|--------------------------------------|---------|
| Spacers for Futura runners | page 58 |
| Stabiliser device for drawers | page 58 |
| Spacers for Futura | page 59 |

Futura



Futura

Futura, the concealed runner produced by Salice, is suitable for all drawer opening applications, both with part- and full-extension.

It is available in three versions:

- with traditional Self-closing (see page 23);
- with Push opening in handle-less furniture (see page 33);
- with Smove decelerated closing (see page 43).

Self-closing



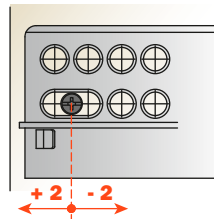
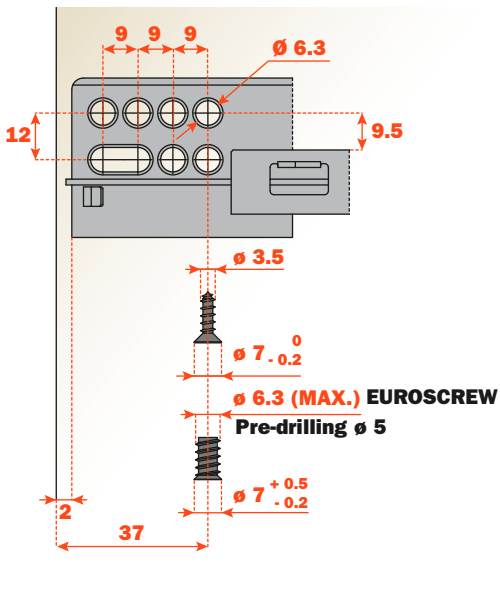
Push



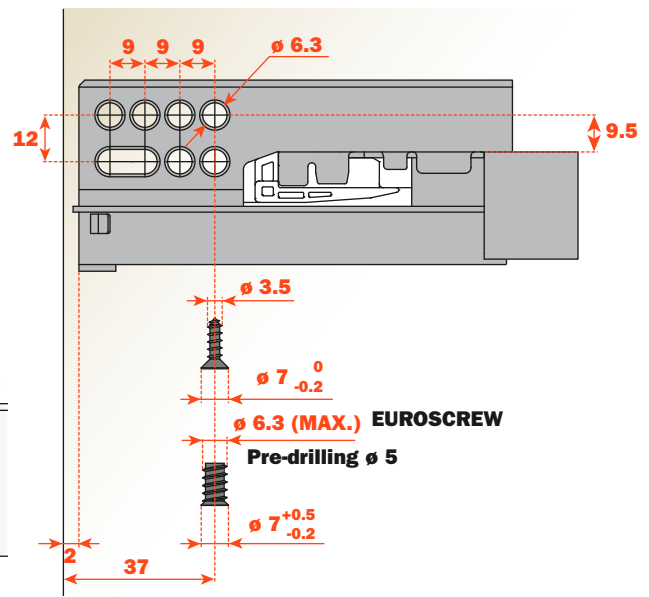
Smove



Fixing part-extension runner on cabinet side.

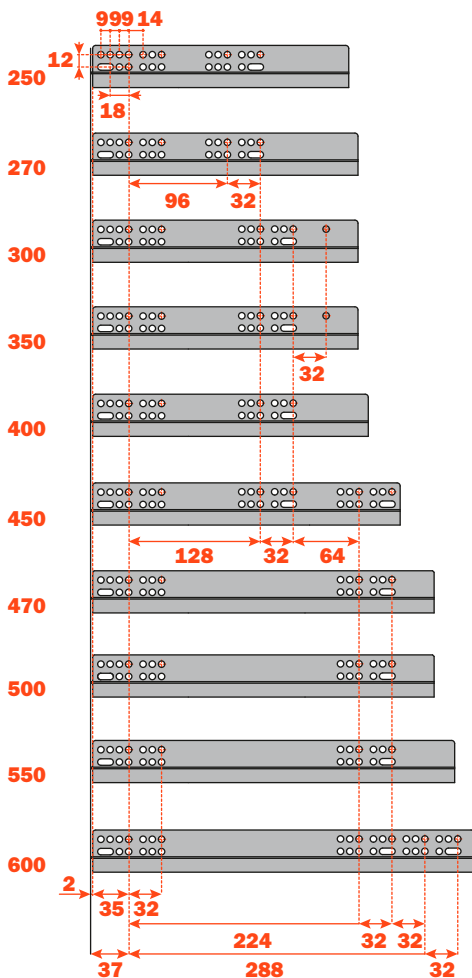


Fixing full-extension runner on cabinet side.

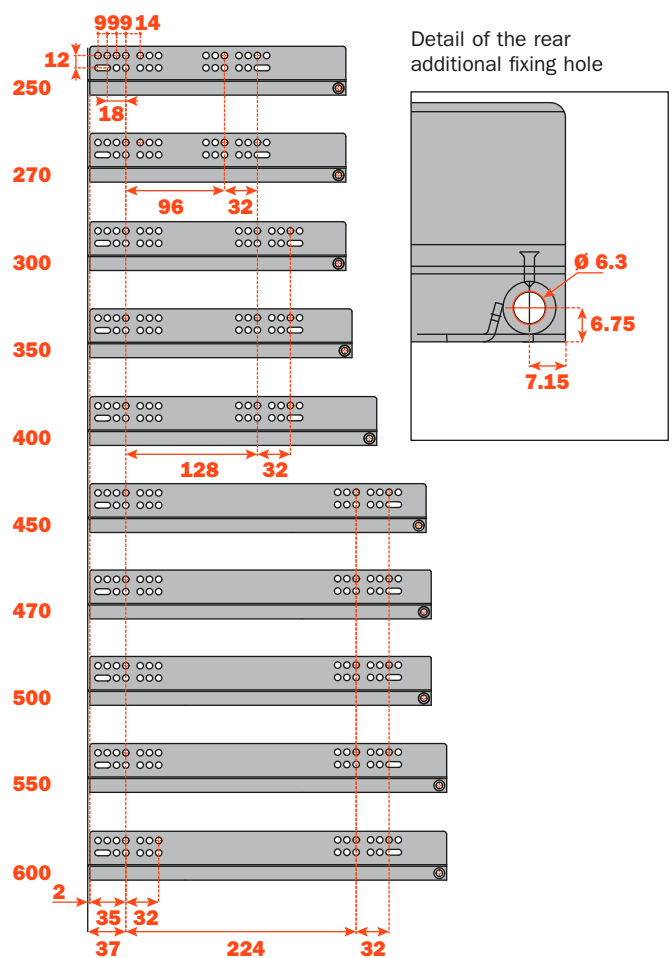


The oval slot allows the easy alignment of drawer frontals particularly in multi drawer and Push applications.

Drilling positions for runner on cabinet side. Part-extension



Drilling positions for runner on cabinet side. Full-extension



Drawer setting: abbreviations

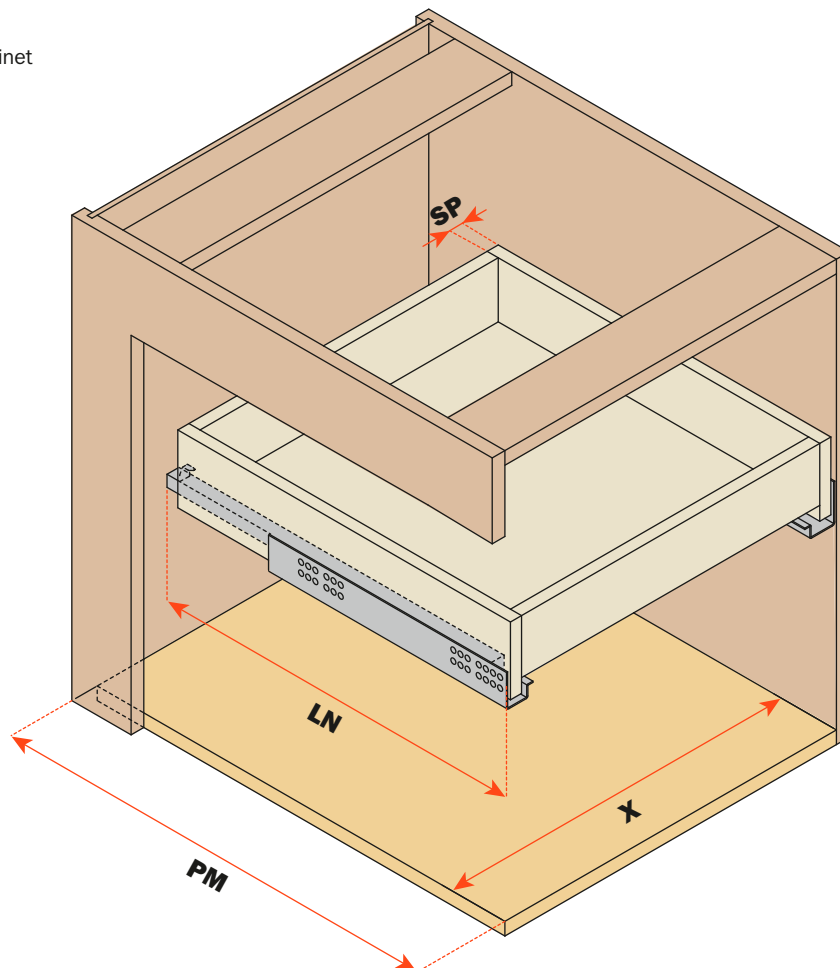
Chest of drawers

SP = Thickness of the drawer

LN = Nominal runner length

PM = Depth of the cabinet

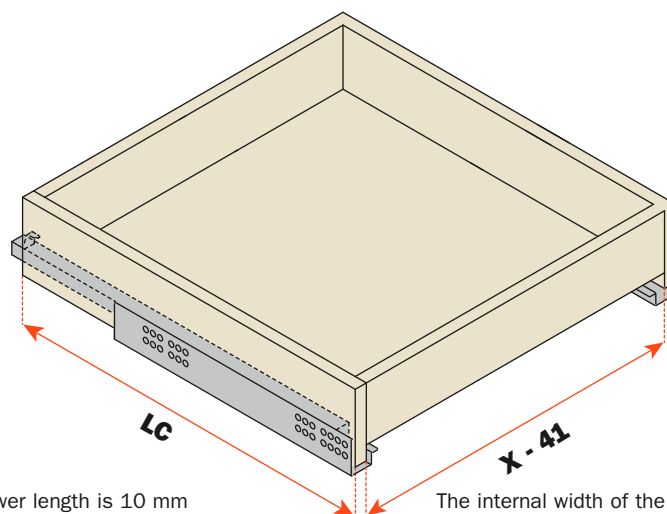
X = Internal width of the cabinet



Drawer dimensions

LC = Runner length - 10 mm

X - 41 = Internal width of the drawer



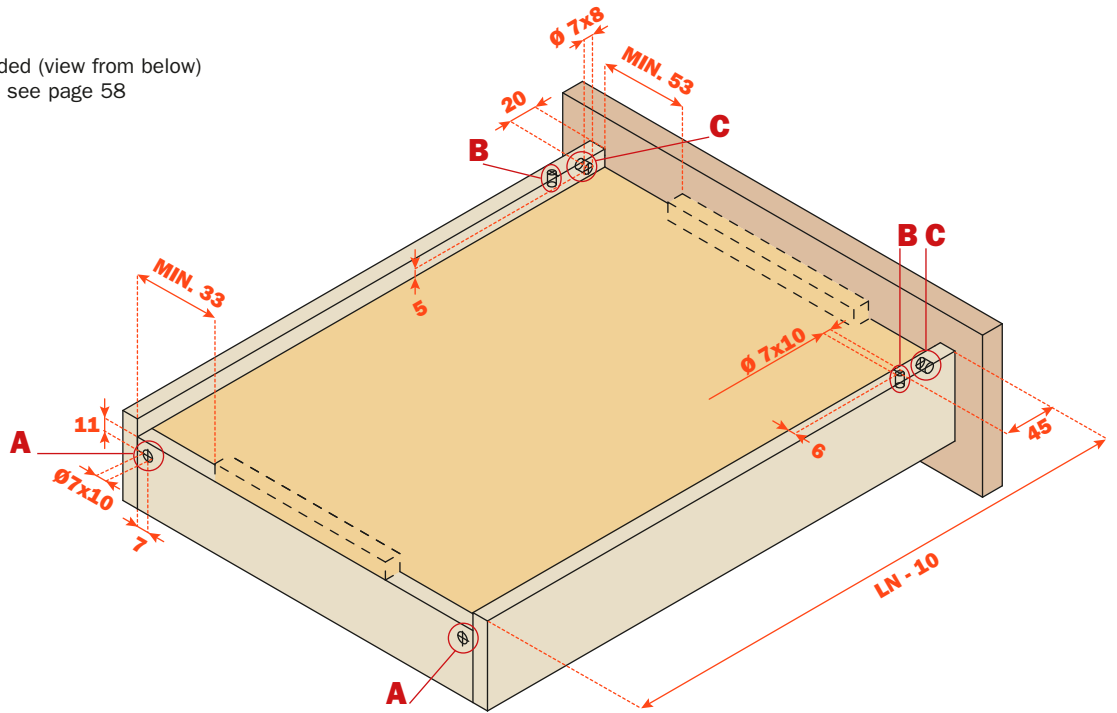
The drawer length is 10 mm shorter than the runner length

The internal width of the drawer is 41 mm less than the internal width of the cabinet

Drawer drilling

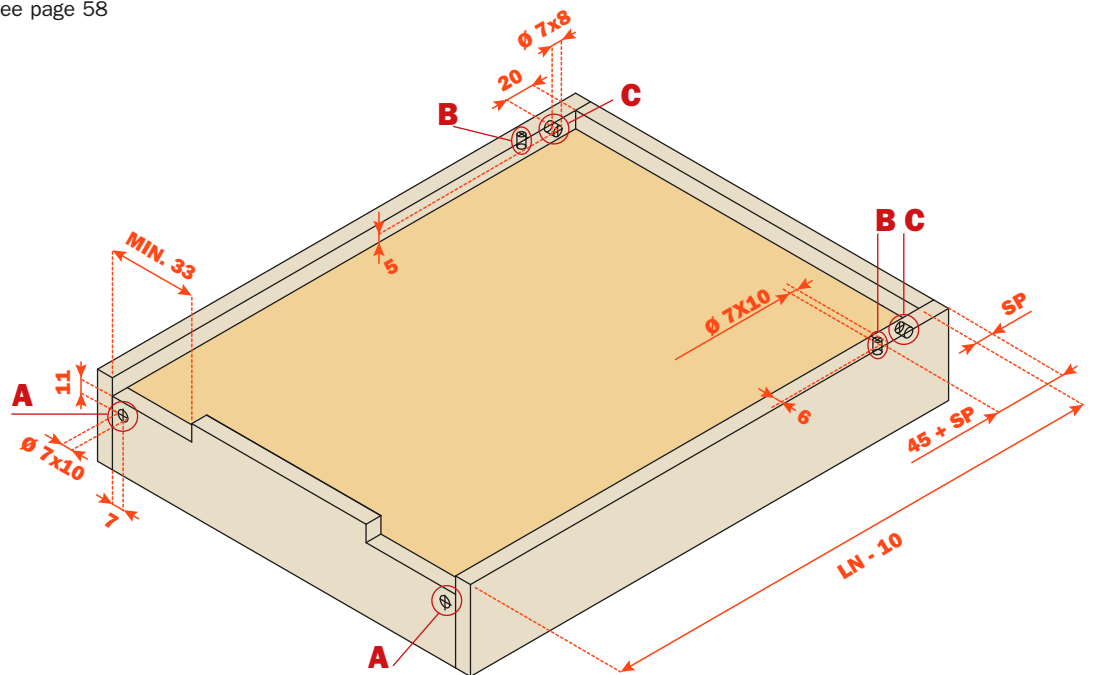
Drawer drilling

Drawer with frontal - three-sided (view from below)
 Template for drawer drilling - see page 58



Drawer drilling

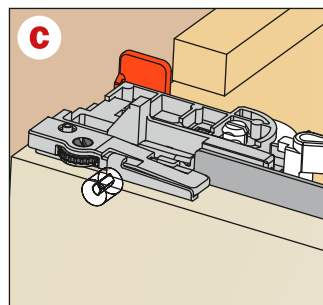
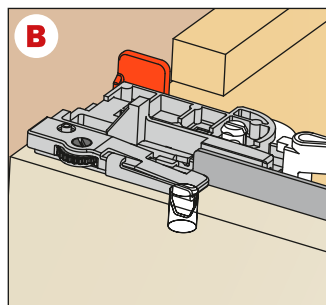
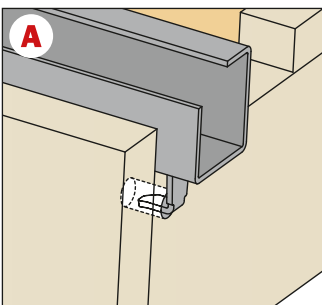
Internal drawer - four-sided (view from below)
 Template for drawer drilling - see page 58



Rear hook

drawer locating pin

security pin

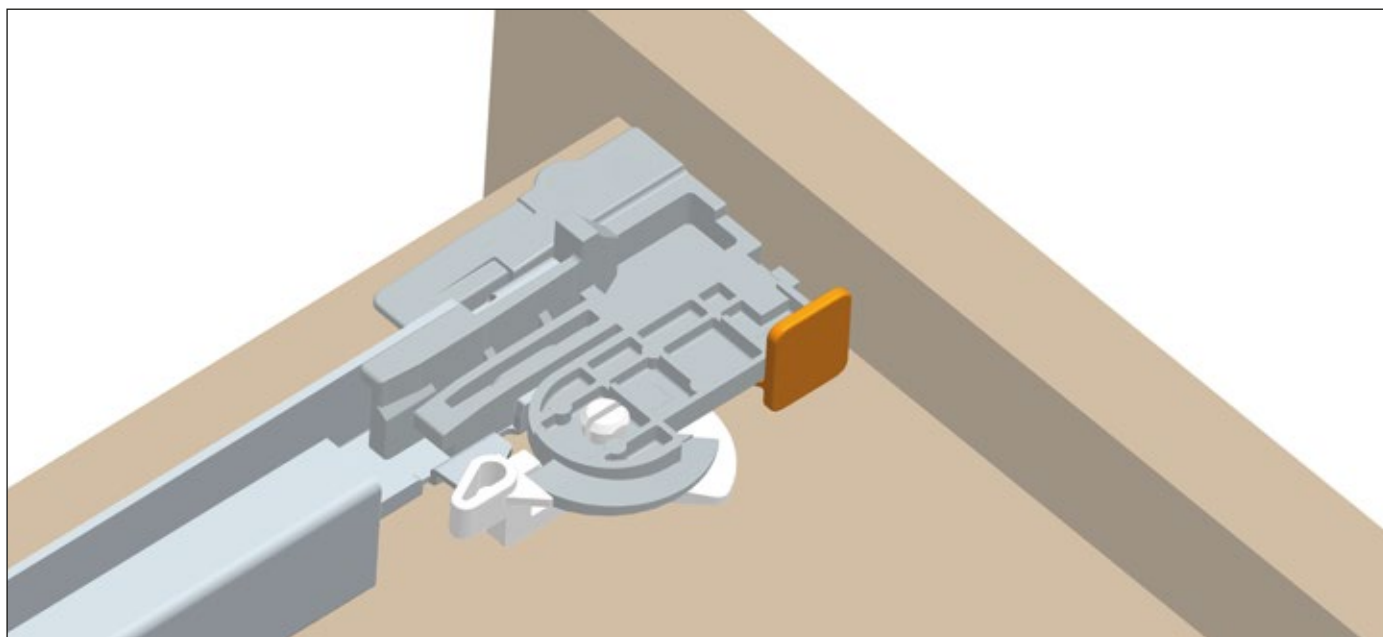
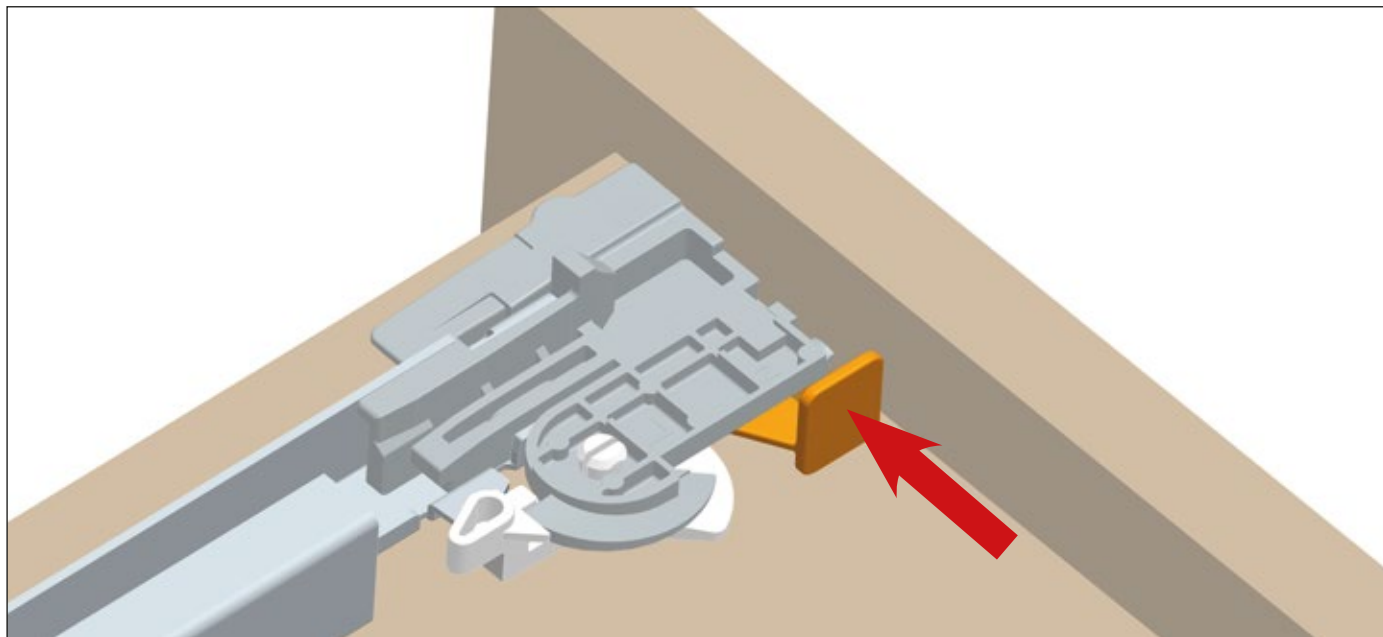


Fixing of the drawer security pin

Available on all runner versions.

This operation is tool free.

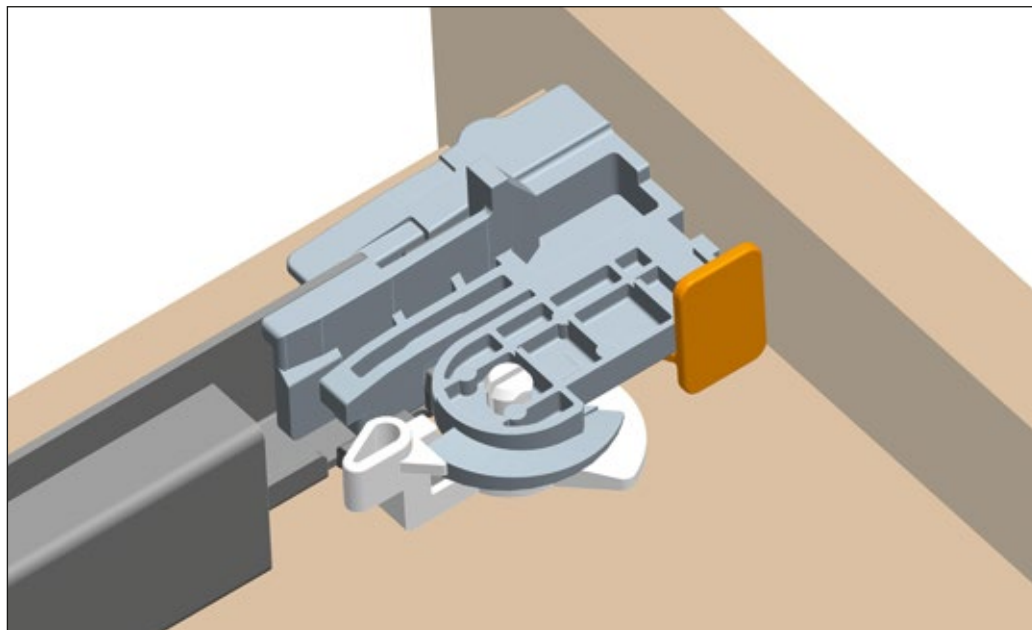
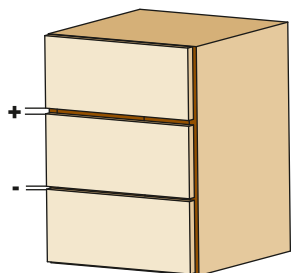
The device locks the drawer onto the runners.



Height adjustment + 3 mm

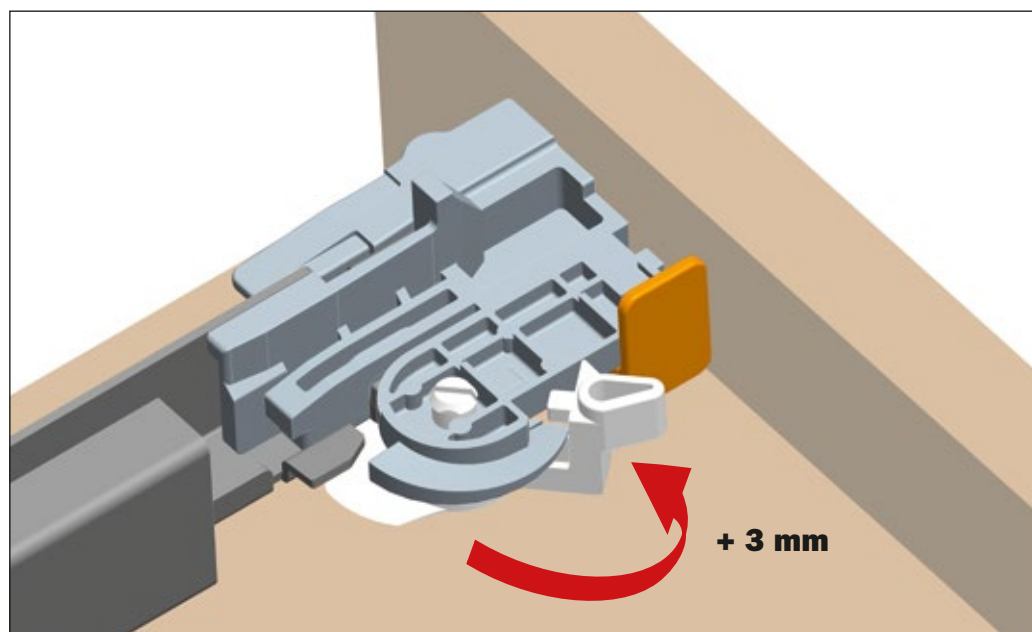
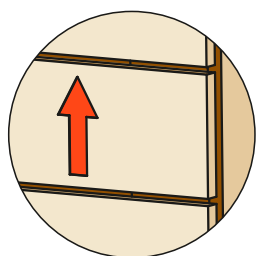
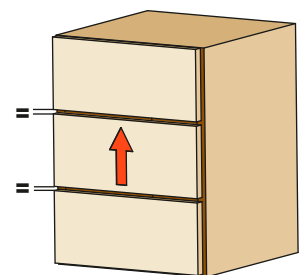
Available on all runner versions.
This operation is tool free.

Initial position of the lever for the height adjustment.



Turn the lever towards the front of the drawer to achieve the height adjustment.

This operation is tool free.

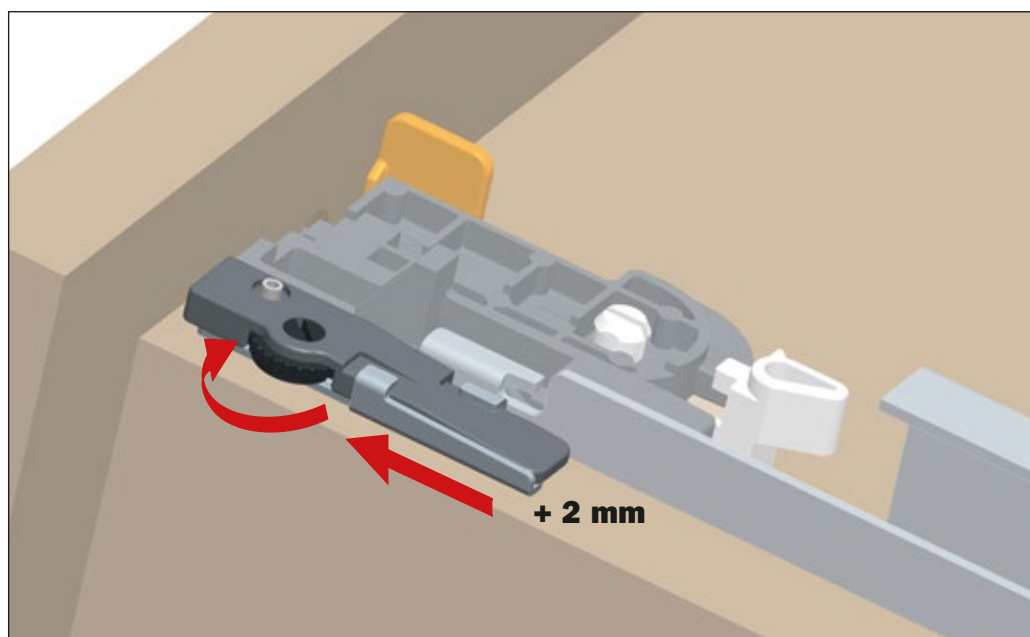
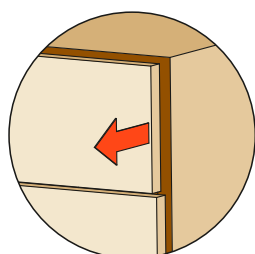
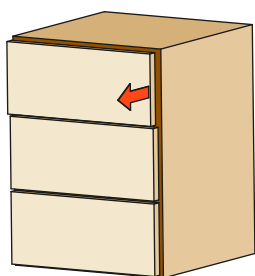


Depth adjustment + 2 mm - 2 mm

Available on all Push runners.

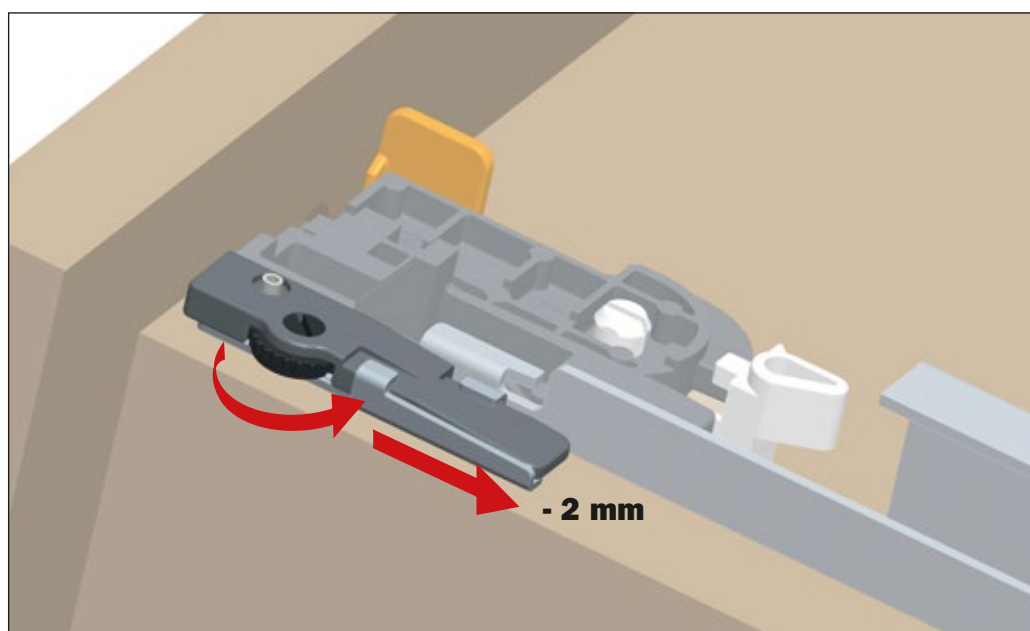
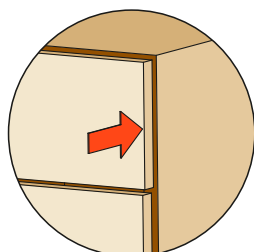
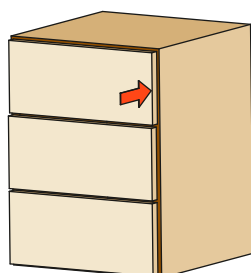
Rotate the black wheel towards the front of the drawer to increase the gap between the front and the side.

This operation is tool free.



Rotate the black wheel towards the back of the drawer to reduce the gap between the front and the side.

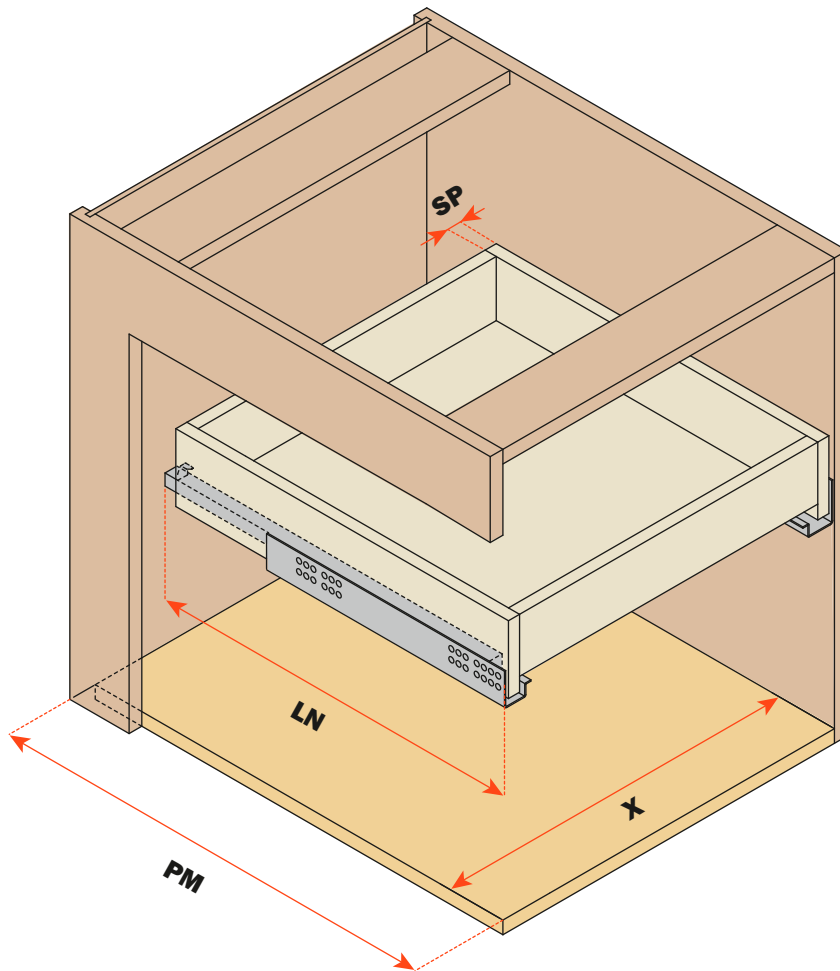
This operation is tool free.



Drawer setting: abbreviations

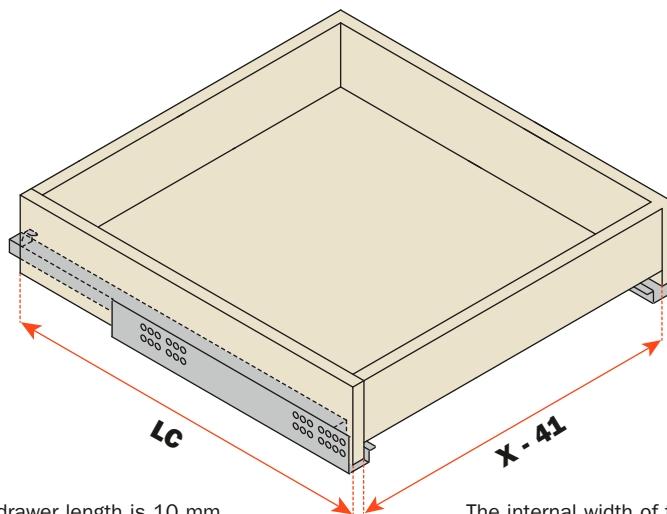
Chest of drawers

- SP** = Thickness of the drawer
- LN** = Nominal runner length
- PM** = Depth of the cabinet
- X** = Internal width of the cabinet



Drawer dimensions

- LC** = Runner length - 10 mm
- X - 41** = Internal width of the drawer

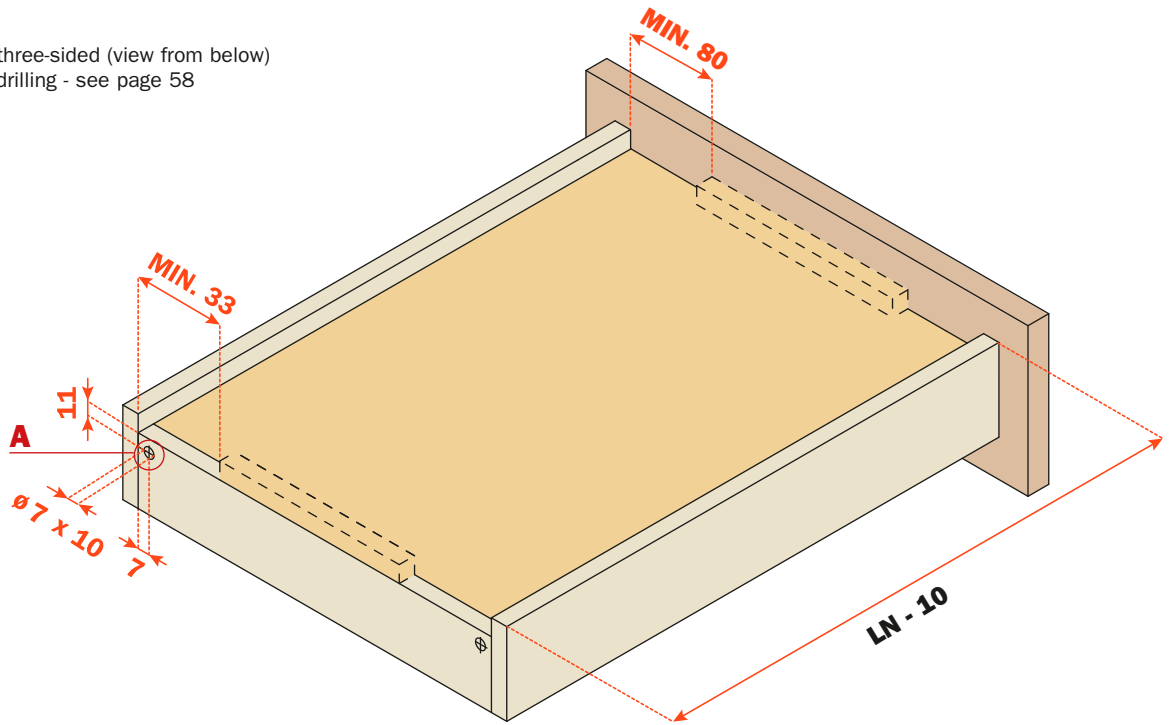


The drawer length is 10 mm shorter than the runner length

The internal width of the drawer is 41 mm less than the internal width of the cabinet

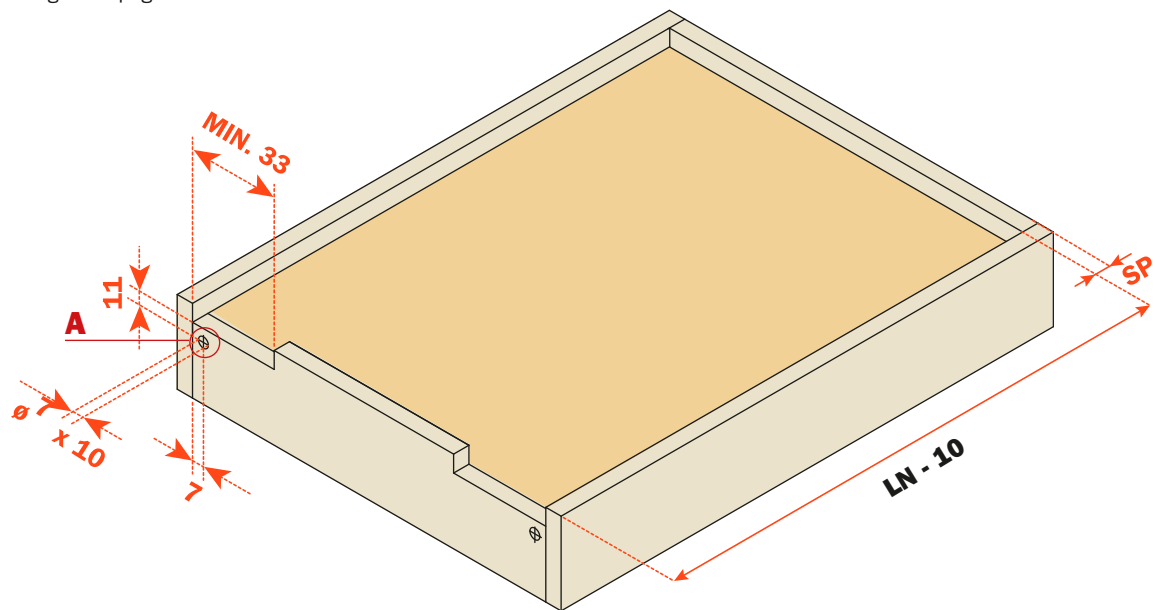
Drawer drilling

Drawer with frontal - three-sided (view from below)
Template for drawer drilling - see page 58

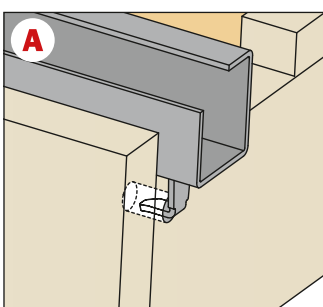


Drawer drilling

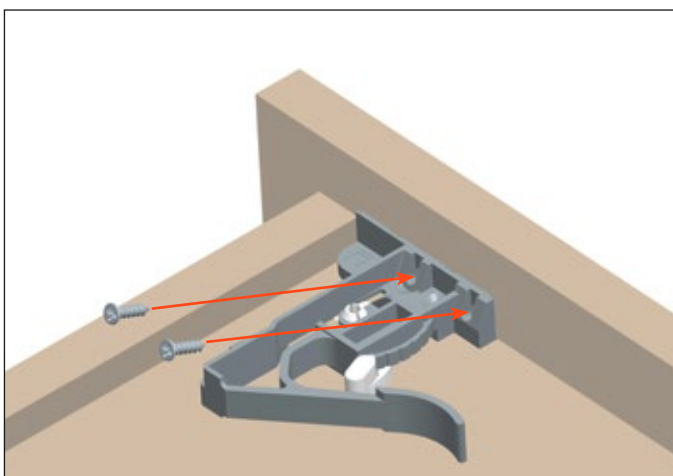
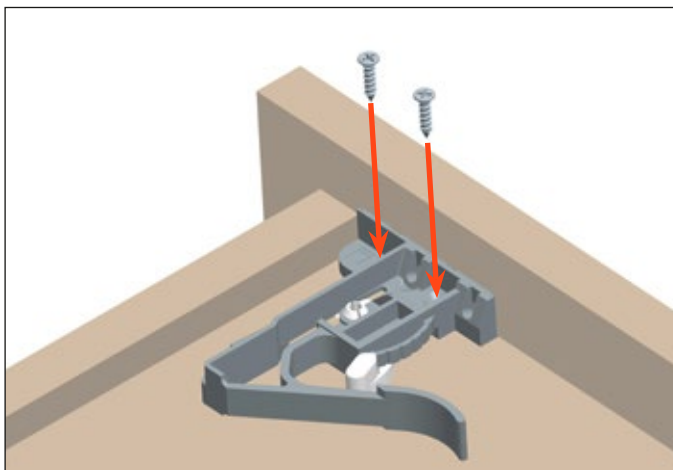
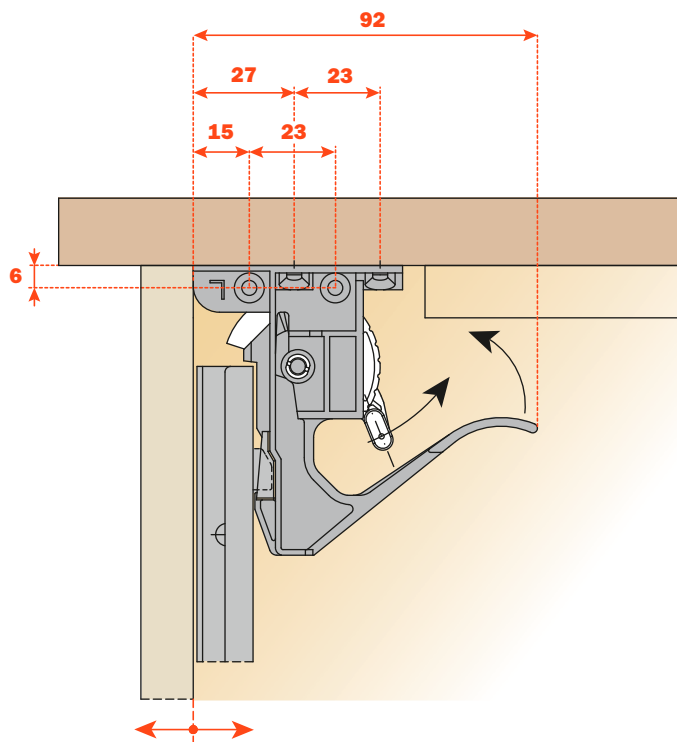
Internal drawer - four-sided (view from below)
Template for drawer drilling - see page 58



Rear hook

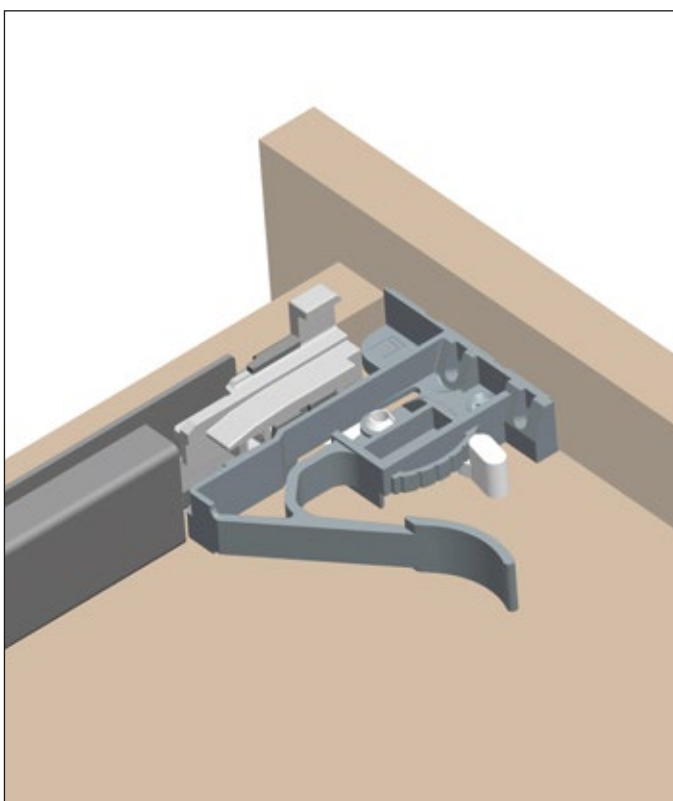
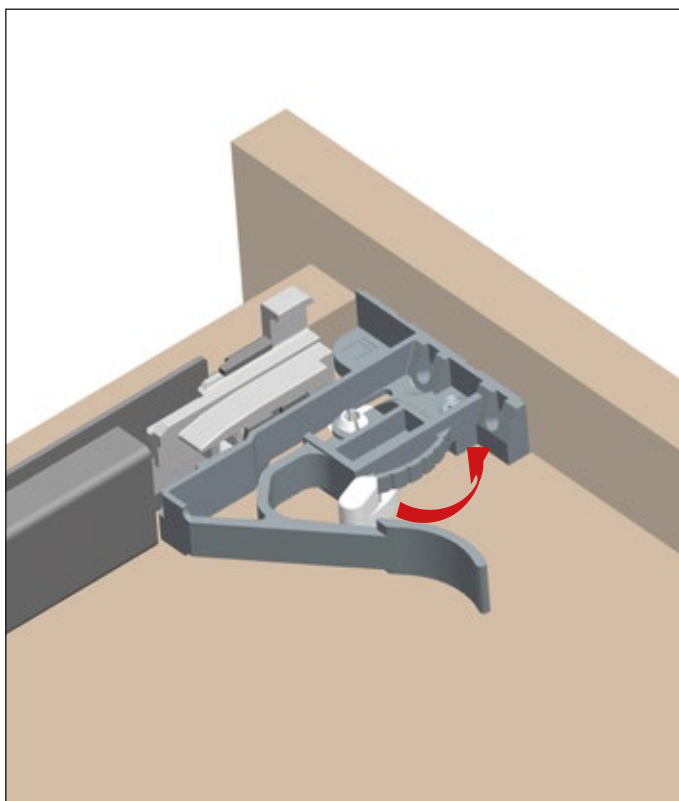


Fixing clip



Drawer adjustment

Drawer height adjustment (+ 2,5 mm) using the lever indicated
This operation is tool free



Futura - with 3 way adjustable clip

The 3 way adjustment allows to:

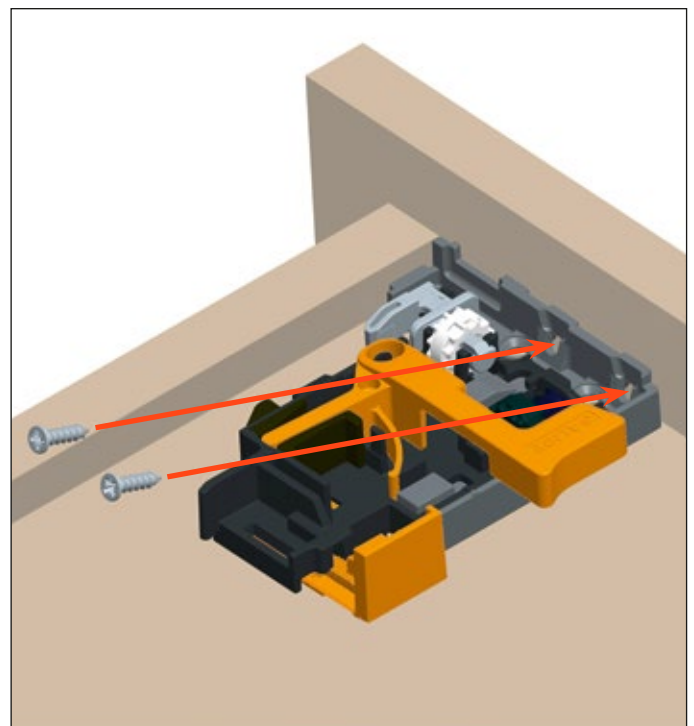
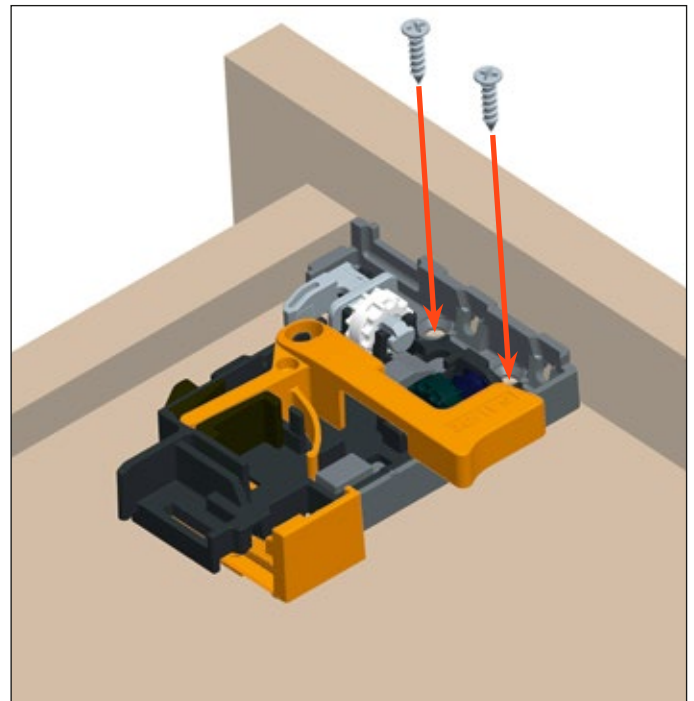
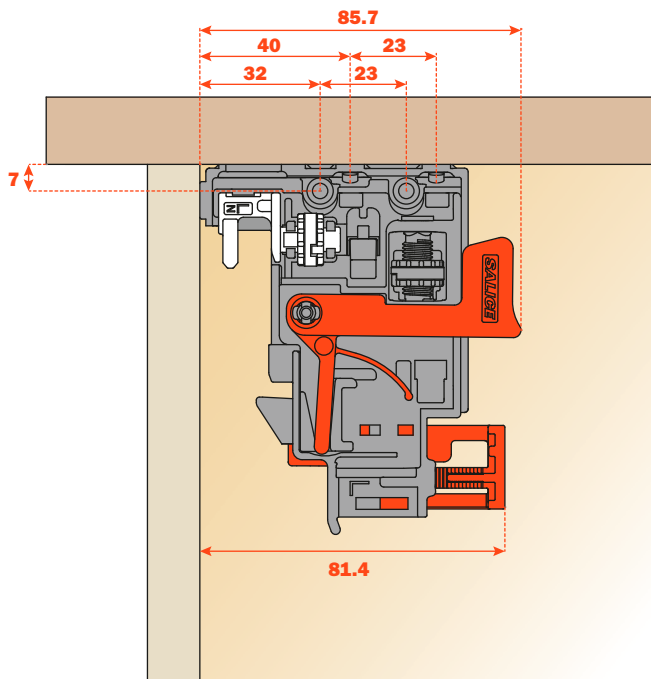
- align the drawers between them;
- align the drawers with the cabinet.

Features and benefits of the clip:

- for all versions of full-extension runners
- tool free 3 way adjustment
- patented removal system of the drawer, from both the front and the sides of the drawer
- clip manufactured in Carbon Fibre rich material for light weight, strength and rigidity

Clip assembly

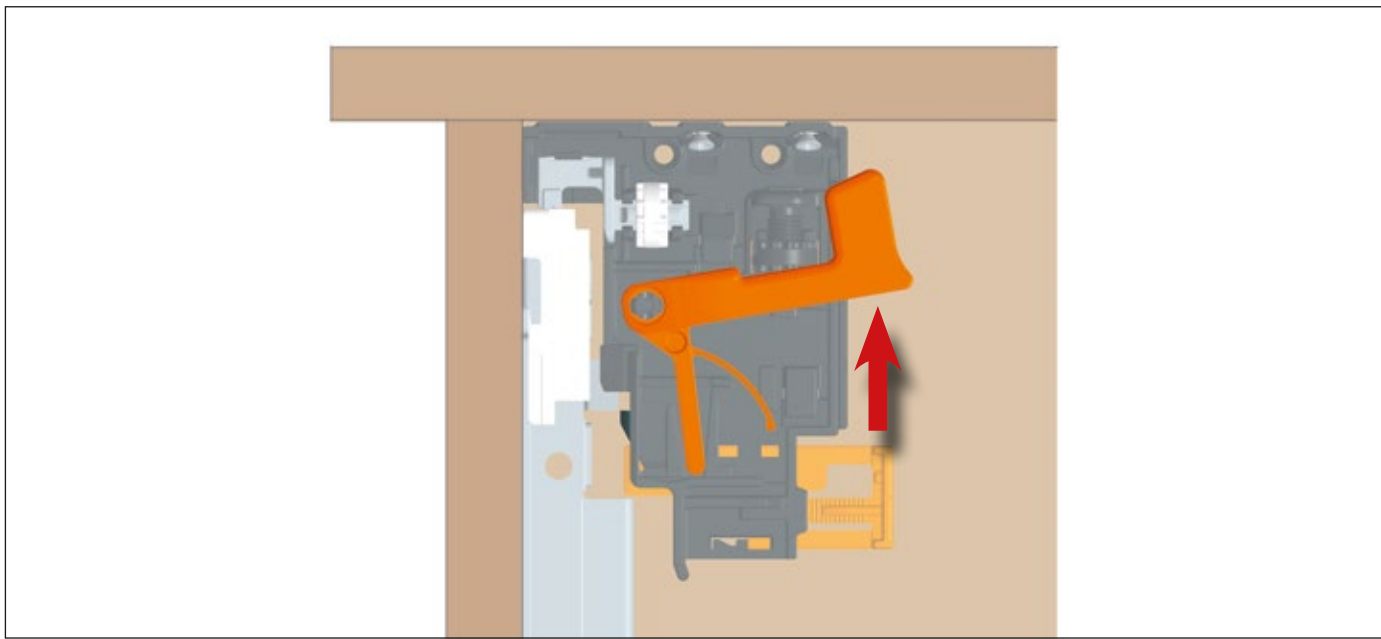
Position the left and the right clip at the front of the drawer.
Fix with the screws on the bottom or on the front of the drawer as indicated in the images below.



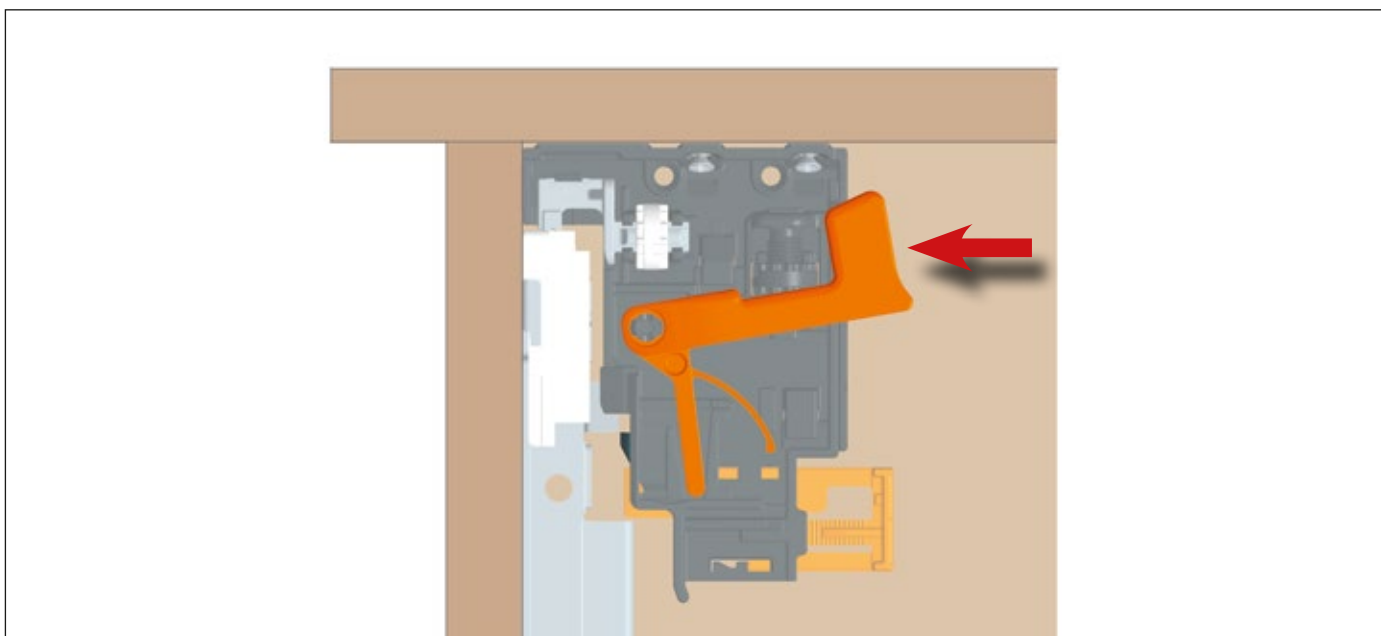
Removed

The drawer can be removed operating from both the front and the sides.

Removal from the front: position the hands under the front of the drawer and operate on the orange levers, as indicated in the drawing, sliding the drawer forward.



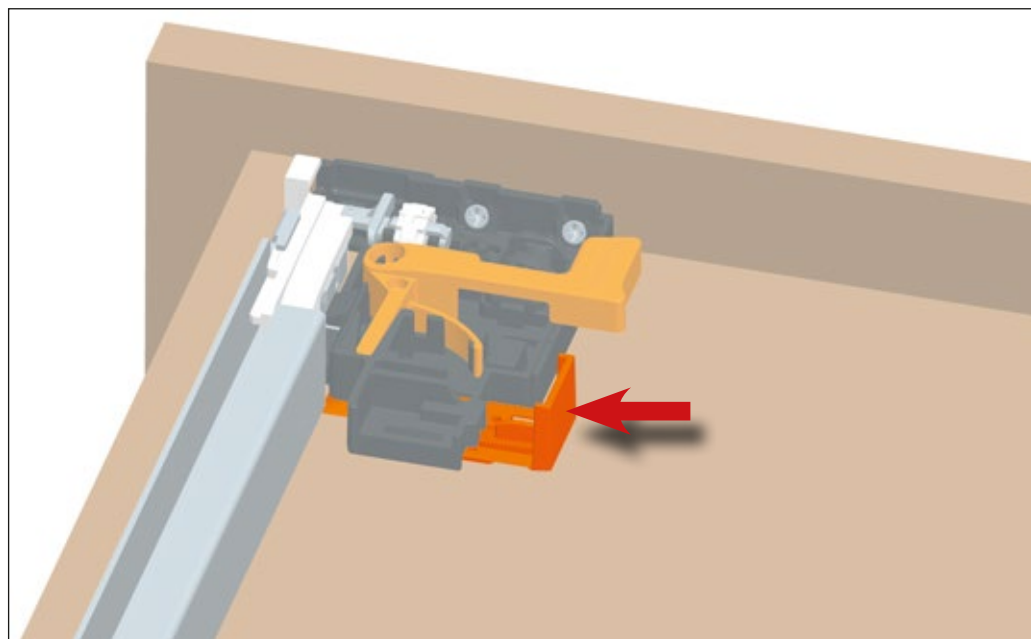
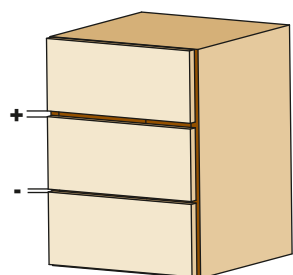
Removal from the side: position the hands under both sides of the drawer and operate on the orange levers, as indicated in the drawing, sliding the drawer forward.



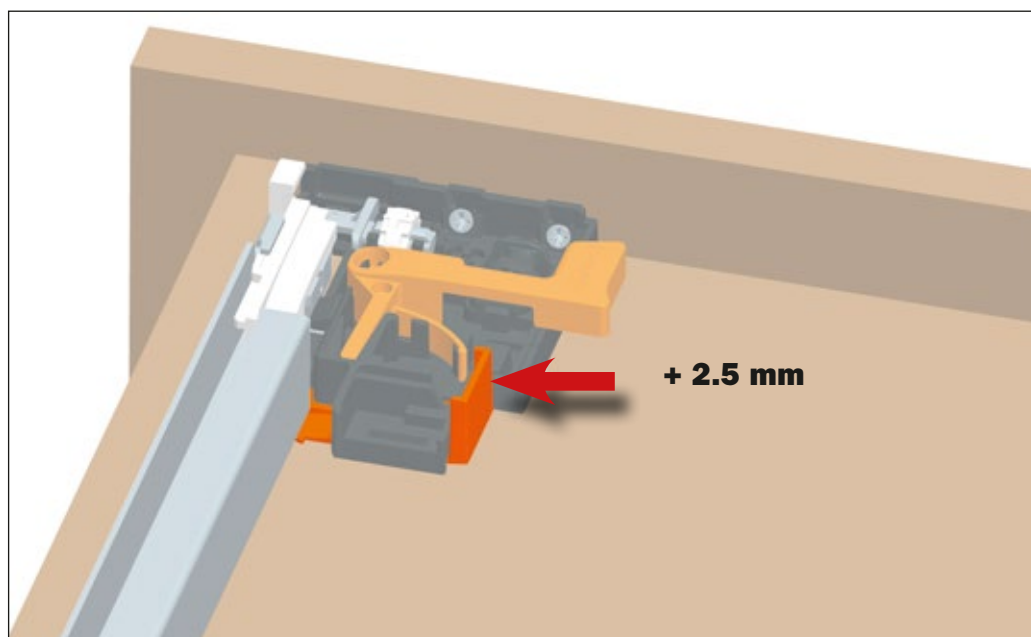
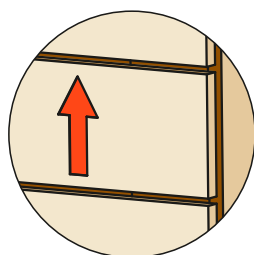
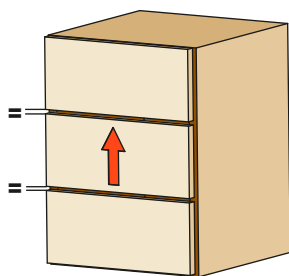
Futura - with 3 way adjustable clip

Height adjustment + 2.5 mm

Initial position of the lever for the height adjustment.

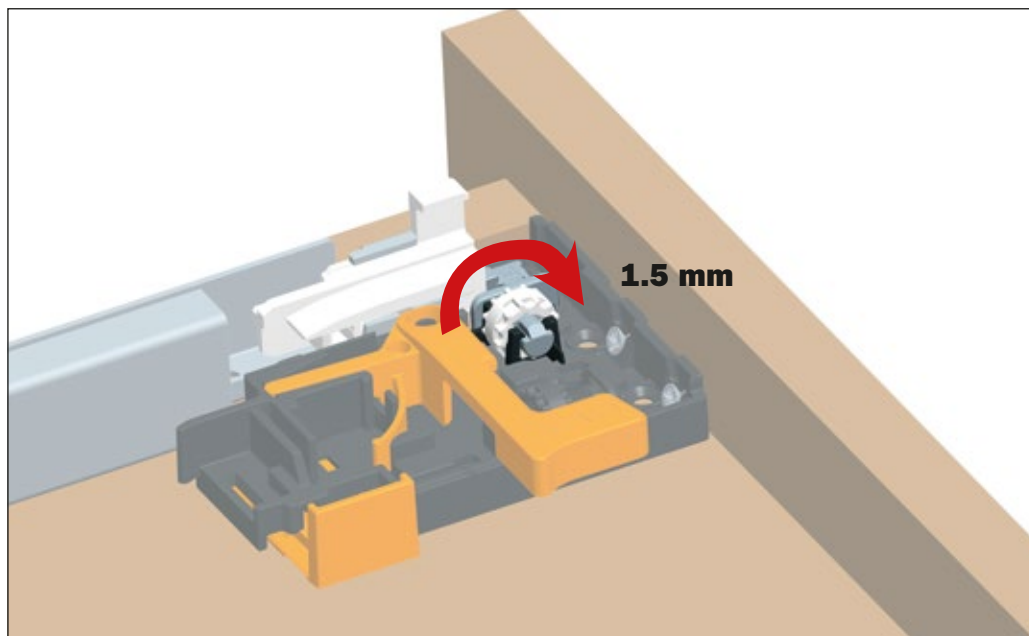
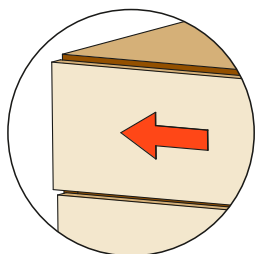
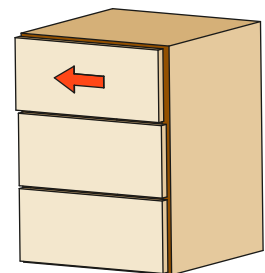


Push the lever towards the outside of the drawer to achieve the height adjustment.
This operation is tool free.

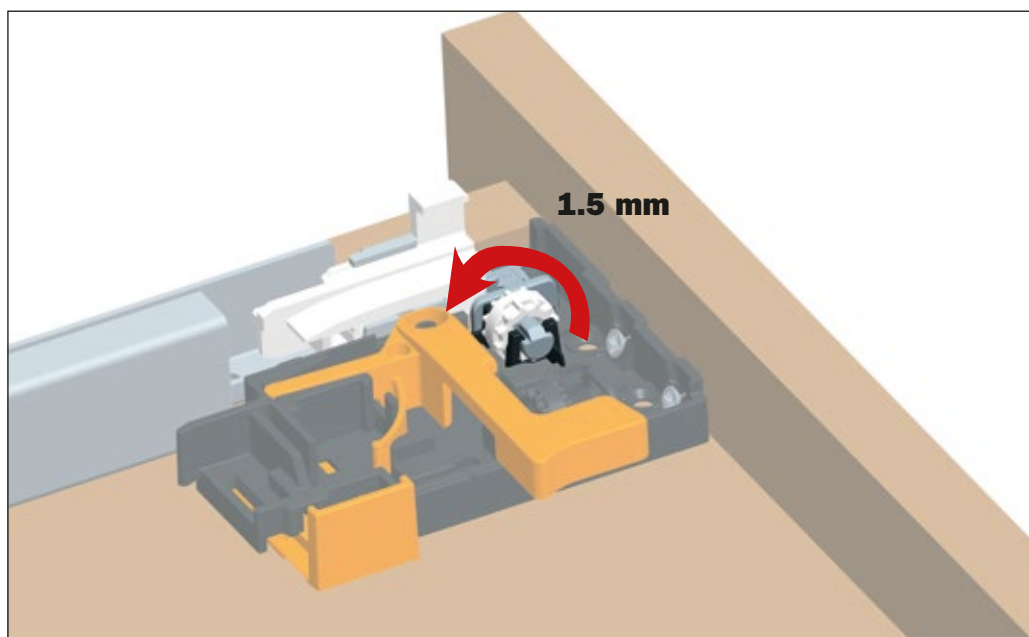
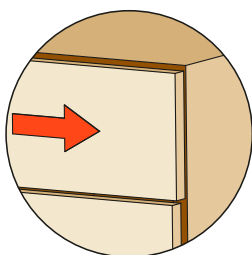
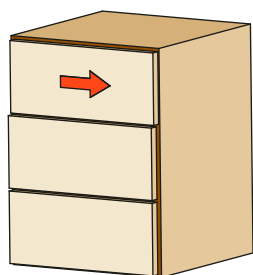


Sideways adjustment + 1.5 mm - 1.5 mm

Rotate the white wheel towards the front of the drawer to adjust left.
The clip shows the position 0.
This operation is tool free.



Rotate the white wheel towards the back of the drawer to adjust right.
The clip shows the position 0.
This operation is tool free.

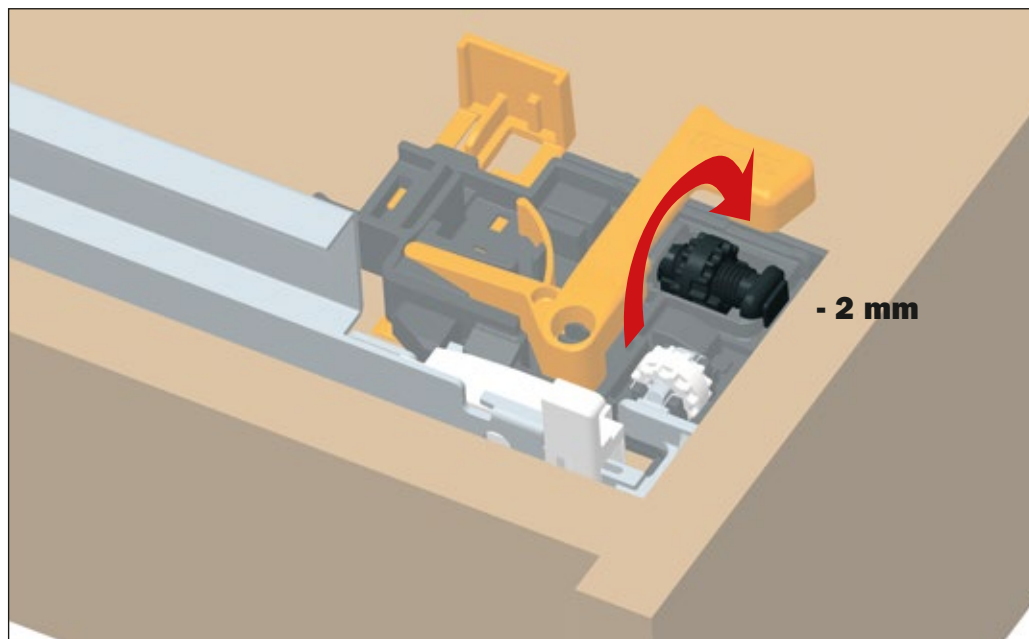
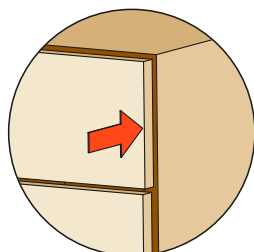
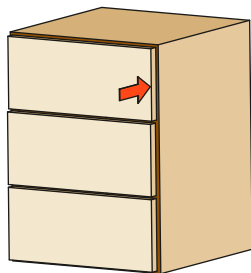


For sideways adjustment, it is recommended that the adjusters on the clips are operated in the same direction, in order to maintain the correct alignment and movement of the runners.

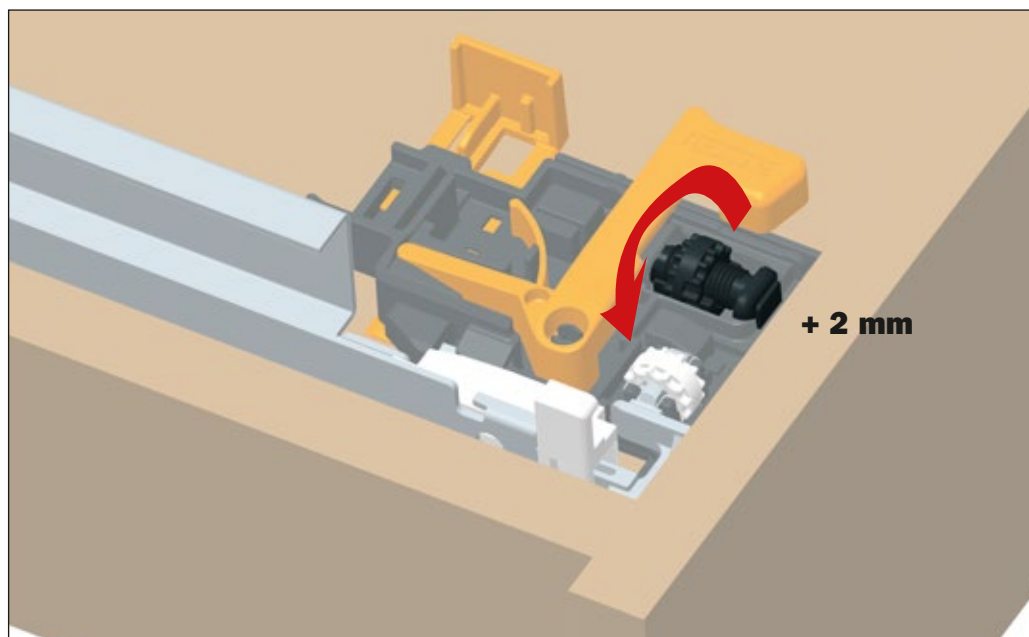
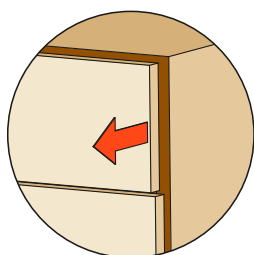
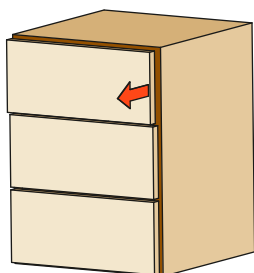
Futura - with 3 way adjustable clip

Depth adjustment + 2 mm - 2 mm

Rotate the black wheel towards the inside of the drawer to reduce the gap between the front and the side.
The clip shows the position 0.
This operation is tool free.



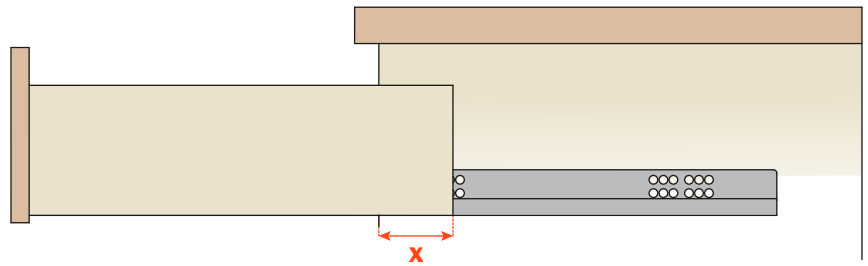
Rotate the black wheel towards the outside of the drawer to increase the gap between the front and the side.
The clip shows the position 0.
This operation is tool free.



Part-extension

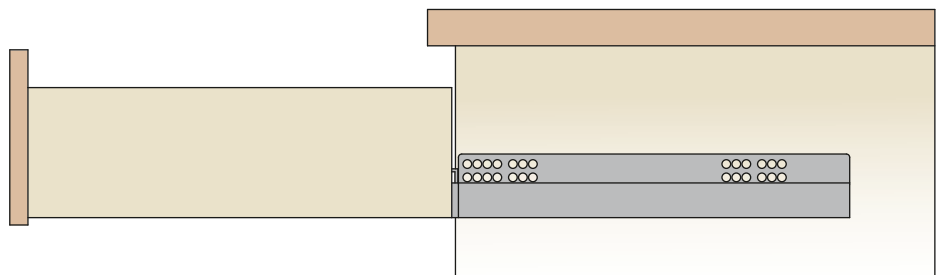
Runner length (nominal size)

- from 250 to 470 mm → x = drawer length - 89 mm
- from 500 to 600 mm → x = drawer length - 119 mm



Full-extension

Drawer length = extension

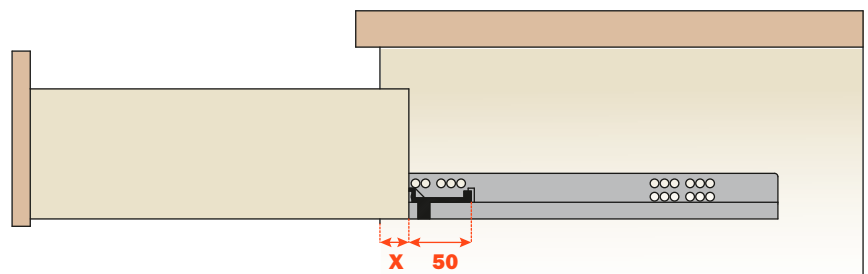


Part-extension with spacer

Runner length (nominal size)

- from 250 to 470 mm → x = total length - 39 mm
- from 500 to 600 mm → x = total length - 69 mm

With the application of the spacer on the part-extension runner and by reducing the drawer length by 50 mm, the portion of the drawer that remains in the cabinet when it is fully open is consequently reduced.



SPACER PART NUMBER

(to order separately)

1 0 6010 000 50 600

Industrial packing: 100 pairs

Part number composition - Runners

Example:

10 XXX XX XXX 2 0 0

BASIC PART NUMBER

ARTICLE (ex. 612)

ARTICLE VERSIONS:

- 00 = With self-closing
- 50 = With Smove
- 70 = With Push

PACKING:
0 = Industrial

FIXING ON CABINET SIDE:
0 = To be screw fixed

RUNNER LENGTH (in mm)

Industrial packing = 20 pairs



Clip version

| PART-EXTENSION | | |
|----------------|-----------------|---------|
| ARTICLE | LENGTH | PACKING |
| 615 | from 250 to 600 | 500 prs |
| 6157 PUSH | from 250 to 600 | 500 prs |
| 6155 SMOVE | from 250 to 400 | 400 prs |
| 6155 SMOVE | from 450 to 600 | 320 prs |

1 0 710 00 010 1 0 0



Futura with 1 way adjustable clip.
Packing = 100 pairs

| FULL EXTENSION | | |
|----------------|-----------------|---------|
| ARTICLE | LENGTH | PACKING |
| 655 | from 250 to 400 | 400 prs |
| 655 | from 450 to 600 | 320 prs |
| 6557 PUSH | from 250 to 400 | 400 prs |
| 6557 PUSH | from 450 to 600 | 320 prs |
| 6555 SMOVE | from 270 to 400 | 300 prs |
| 6555 SMOVE | from 450 to 600 | 280 prs |

1 0 750 00 010 1 0 0



Futura with 3 way adjustable clip.
Packing = 100 pairs



Pin version

| PART-EXTENSION | | |
|----------------|-----------------|---------|
| ARTICLE | LENGTH | PACKING |
| 612 | from 250 to 400 | 400 prs |
| 612 | from 450 to 600 | 320 prs |
| 6127 PUSH | from 250 to 400 | 400 prs |
| 6127 PUSH | from 450 to 600 | 320 prs |
| 6155 SMOVE | from 270 to 400 | 400 prs |
| 6155 SMOVE | from 450 to 600 | 320 prs |



| FULL EXTENSION | | |
|----------------|-----------------|---------|
| ARTICLE | LENGTH | PACKING |
| 652 | from 250 to 400 | 300 prs |
| 652 | from 450 to 600 | 280 prs |
| 6527 PUSH | from 250 to 400 | 300 prs |
| 6527 PUSH | from 450 to 600 | 280 prs |
| 6555 SMOVE | from 270 to 400 | 300 prs |
| 6555 SMOVE | from 450 to 600 | 280 prs |

Futura Self-closing



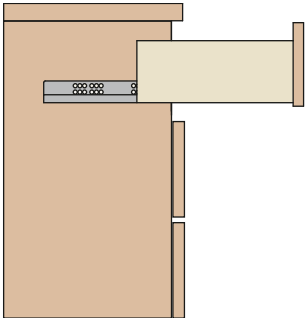
Futura Self-closing 612 - Concealed runner



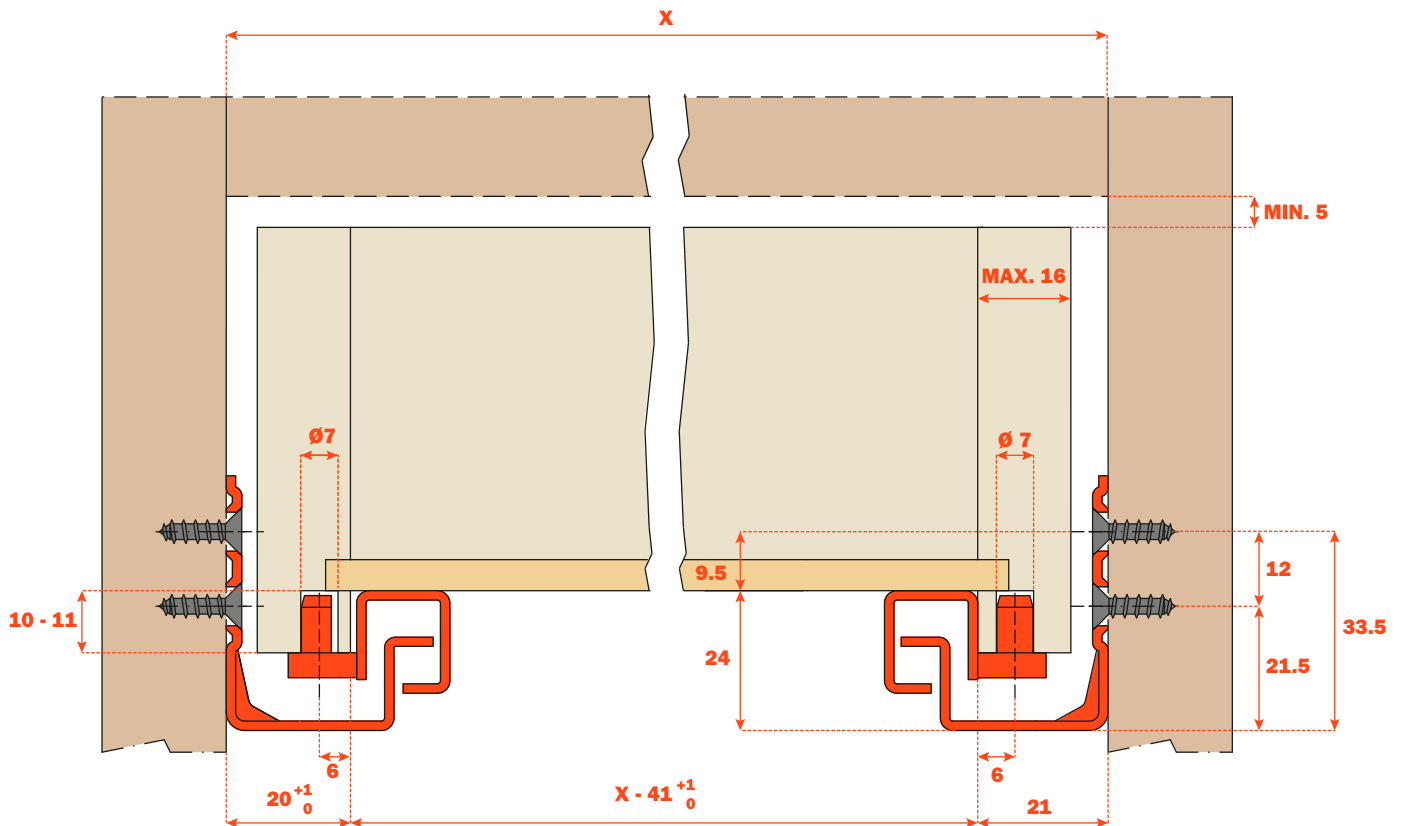
Part-extension runner fixed to the drawer by pin-fix clip.

Product features

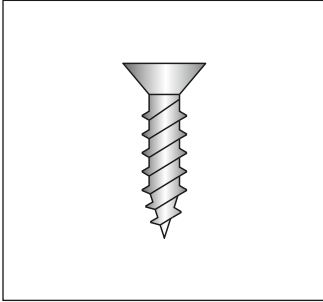
- Dynamic load capacity N 294 (Kg 30).
- Self-closing device on drawer.
- Safety system that prevents the drawers from turning over.
- Drawer height adjustment +3 mm.
- The drawer is maintained parallel with the cabinet side during opening.
- Drawer fixing without screws.
- Compatible with ART. 652.
- Finish: bright zinc-plated.



Dimensions



Part number

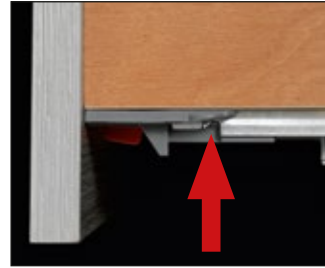
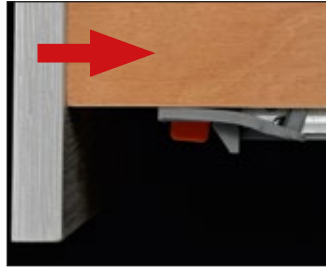


To be screw fixed
Screw TSP \varnothing 3,5 mm

| BASIC PART NUMBER | RUNNER LENGTH (LN) | = | MIN. DEPTH OF THE CABINET (PM) |
|----------------------|--------------------|---|--------------------------------|
| 1 0 612 00 250 2 0 0 | 250 | | 250 |
| 1 0 612 00 270 2 0 0 | 270 | | 270 |
| 1 0 612 00 300 2 0 0 | 300 | | 300 |
| 1 0 612 00 350 2 0 0 | 350 | | 350 |
| 1 0 612 00 400 2 0 0 | 400 | | 400 |
| 1 0 612 00 450 2 0 0 | 450 | | 450 |
| 1 0 612 00 470 2 0 0 | 470 | | 470 |
| 1 0 612 00 500 2 0 0 | 500 | | 500 |
| 1 0 612 00 550 2 0 0 | 550 | | 550 |
| 1 0 612 00 600 2 0 0 | 600 | | 600 |

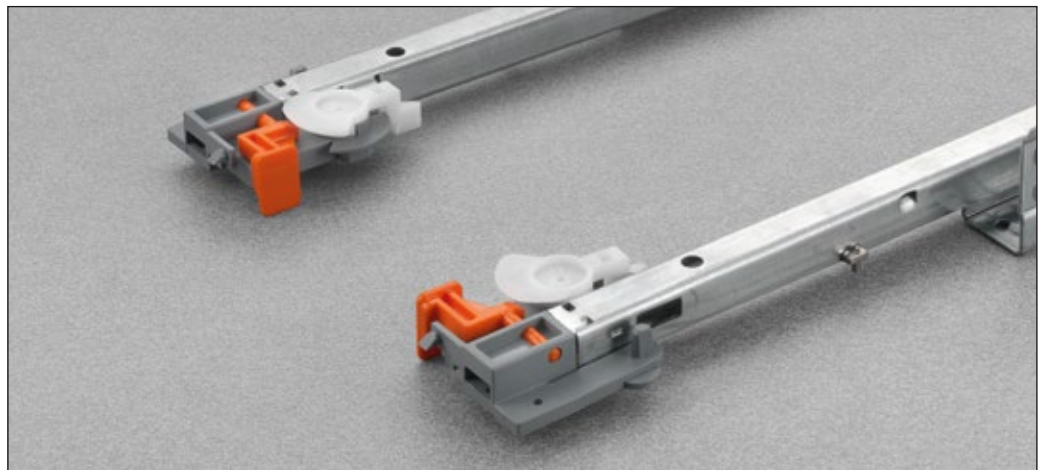
Fixing the drawer onto the runners

The flexibility of the system enables the locating pin to be engaged simply by placing the drawer onto the runners and closing it.



Detail of the pin-fix clip premounted on the runner, with:

- Tool free height adjustment;
- Safety device to prevent the drawers from turning over;
- Locating pin.



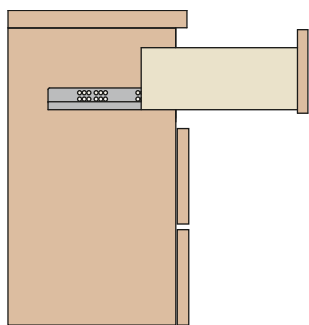
Futura Self-closing 615 - Concealed runner



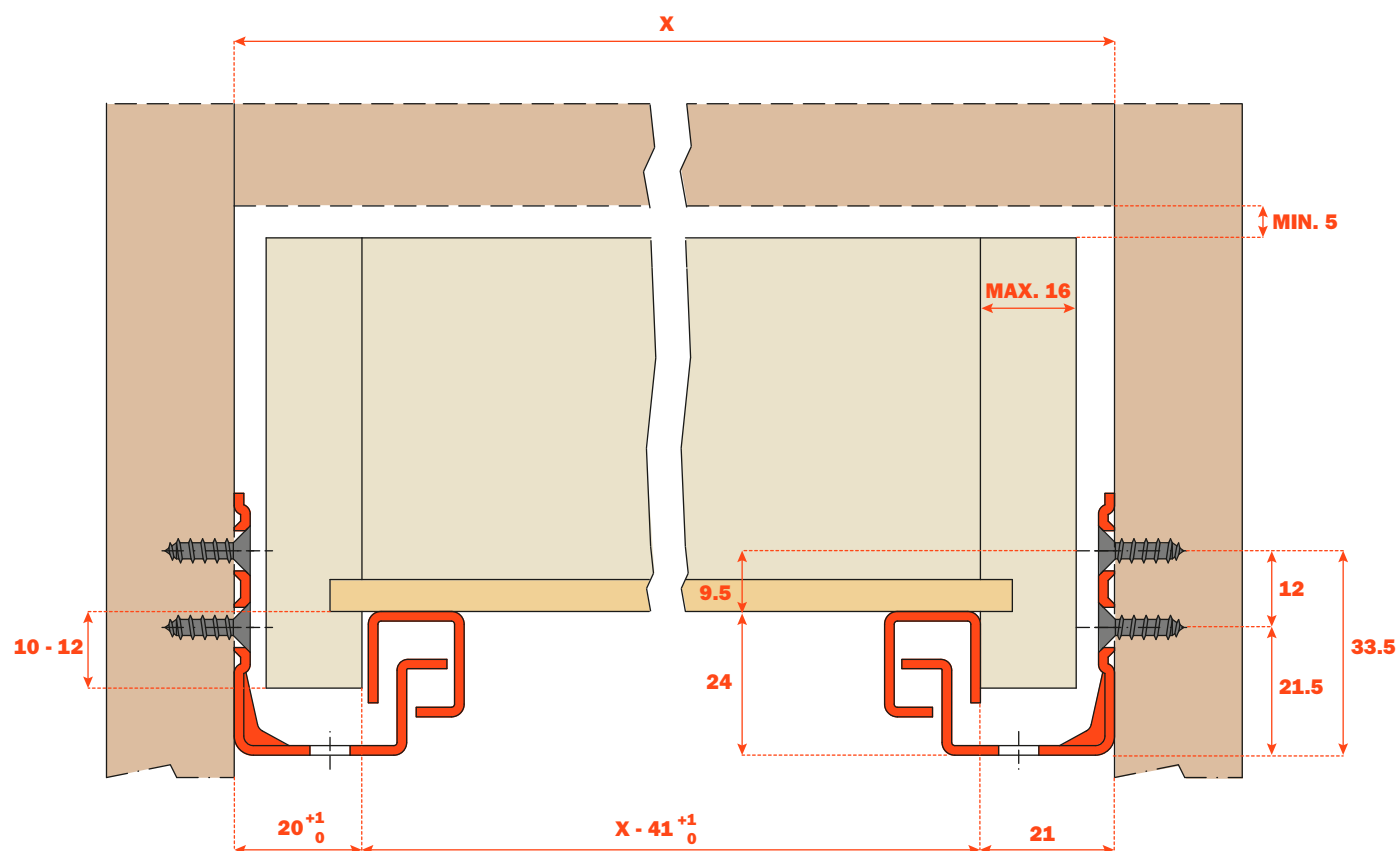
Part-extension runner fixed to the drawer by clip.

Product features

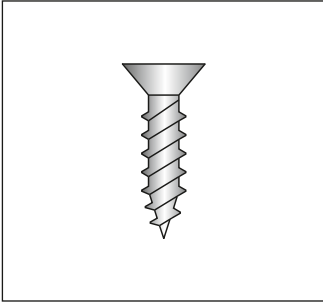
- Dynamic load capacity N 294 (Kg 30).
- Self-closing device on drawer.
- Safety system that prevents the drawers from turning over.
- Drawer height adjustment +2,5 mm.
- The drawer is maintained parallel with the cabinet side during opening.
- Compatible with ART. 655.
- Finish: bright zinc-plated.



Dimensions



Part number



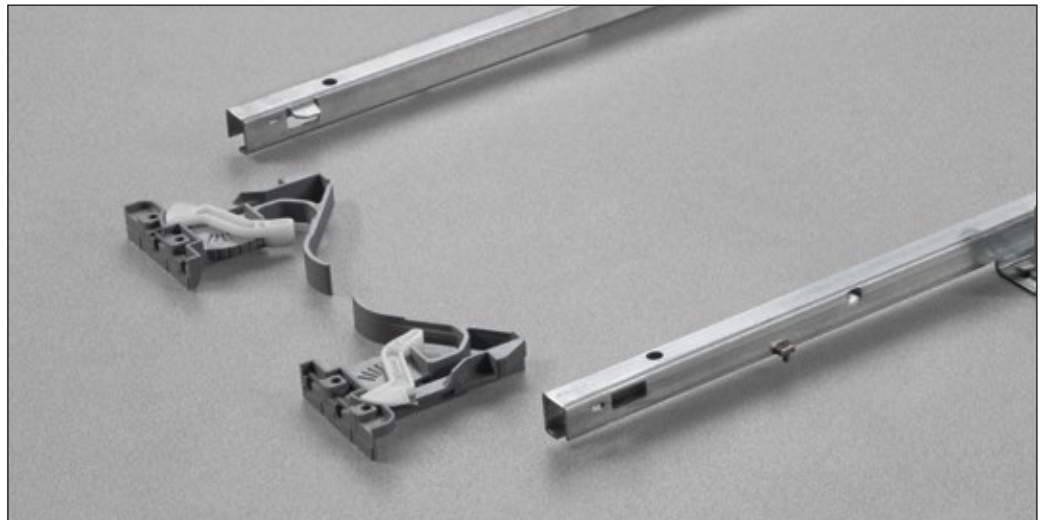
To be screw fixed
Screw TSP \varnothing 3,5 mm

| BASIC PART NUMBER | RUNNER LENGTH (LN) | = | MIN. DEPTH OF THE CABINET (PM) |
|----------------------|--------------------|---|--------------------------------|
| 1 0 615 00 250 2 0 0 | 250 | | 250 |
| 1 0 615 00 270 2 0 0 | 270 | | 270 |
| 1 0 615 00 300 2 0 0 | 300 | | 300 |
| 1 0 615 00 350 2 0 0 | 350 | | 350 |
| 1 0 615 00 400 2 0 0 | 400 | | 400 |
| 1 0 615 00 450 2 0 0 | 450 | | 450 |
| 1 0 615 00 470 2 0 0 | 470 | | 470 |
| 1 0 615 00 500 2 0 0 | 500 | | 500 |
| 1 0 615 00 550 2 0 0 | 550 | | 550 |
| 1 0 615 00 600 2 0 0 | 600 | | 600 |

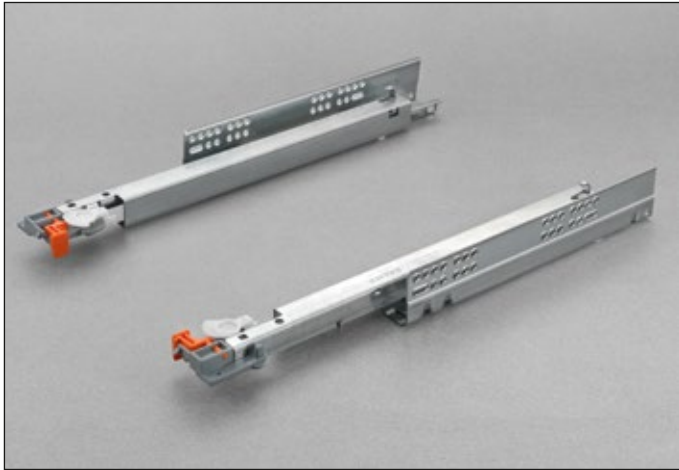
Fixing the drawer onto the runners

Clip part number **1 0 710** 00 010 1 0 0

Detail of the clip with tool free integrated height adjustment.



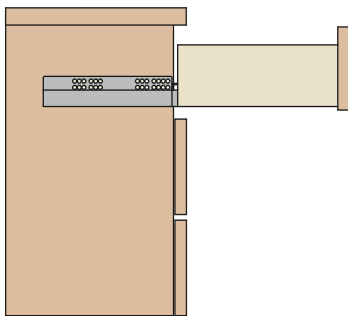
Futura Self-closing 652 - Concealed runner



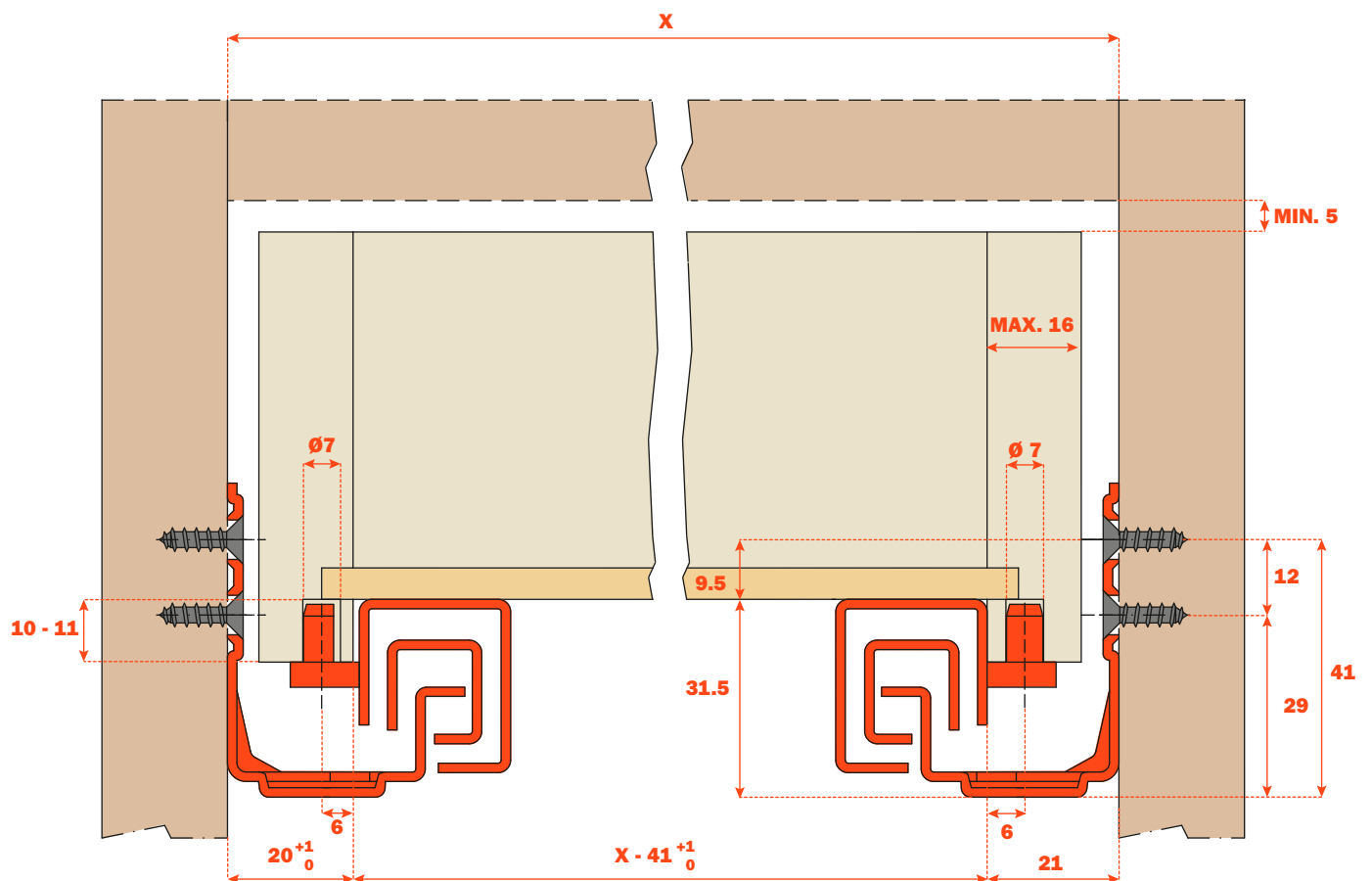
Full-extension runner fixed to the drawer by pin-fix clip.

Product features

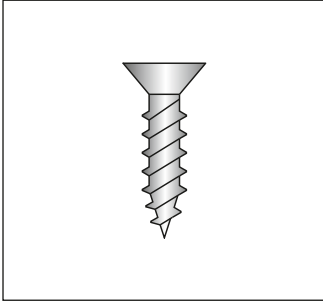
- Dynamic load capacity N 294 (Kg 30).
- Self-closing device on drawer.
- Safety system that prevents the drawers from turning over.
- Drawer height adjustment +3 mm.
- The drawer is maintained parallel with the cabinet side during opening.
- Drawer fixing without screws.
- Compatible with ART. 612.
- Finish: bright zinc-plated.



Dimensions



Part number

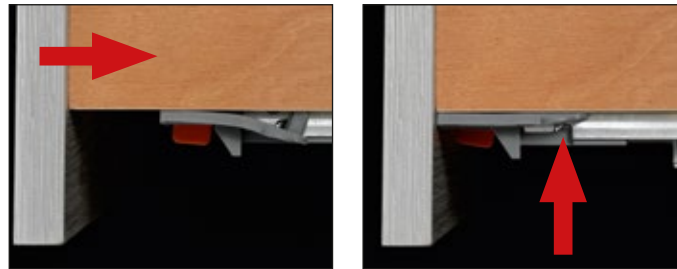


To be screw fixed
Screw TSP \varnothing 3,5 mm

| BASIC PART NUMBER | RUNNER LENGTH (LN) | = | MIN. DEPTH OF THE CABINET (PM) |
|----------------------|--------------------|---|--------------------------------|
| 1 0 652 00 250 2 0 0 | 250 | | 260 |
| 1 0 652 00 270 2 0 0 | 270 | | 280 |
| 1 0 652 00 300 2 0 0 | 300 | | 310 |
| 1 0 652 00 350 2 0 0 | 350 | | 360 |
| 1 0 652 00 400 2 0 0 | 400 | | 410 |
| 1 0 652 00 450 2 0 0 | 450 | | 460 |
| 1 0 652 00 470 2 0 0 | 470 | | 480 |
| 1 0 652 00 500 2 0 0 | 500 | | 510 |
| 1 0 652 00 550 2 0 0 | 550 | | 555 |
| 1 0 652 00 600 2 0 0 | 600 | | 605 |

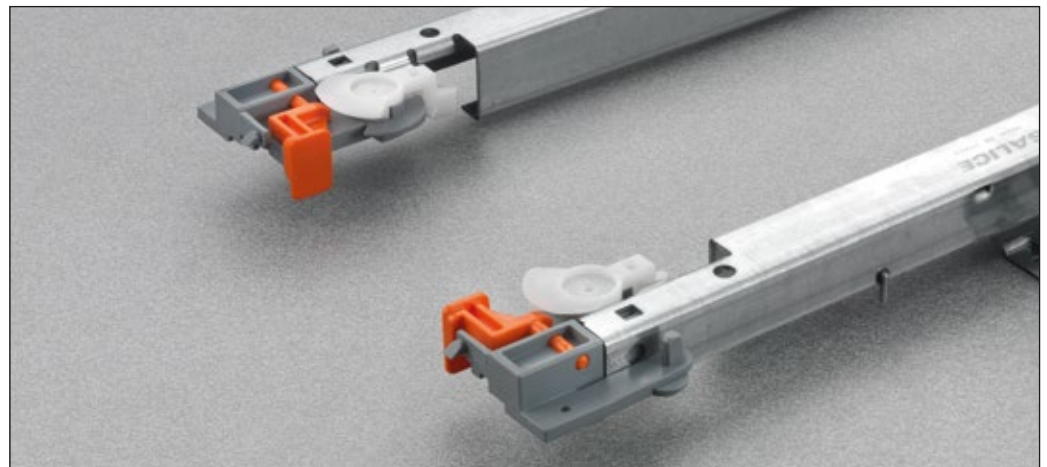
Fixing the drawer onto the runners

The flexibility of the system enables the locating pin to be engaged simply by placing the drawer onto the runners and closing it.



Detail of the pin-fix clip premounted on the runner, with:

- Tool free height adjustment;
- Safety device to prevent the drawers from turning over;
- Locating pin.



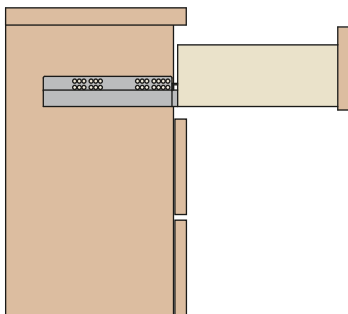
Futura Self-closing 655 - Concealed runner



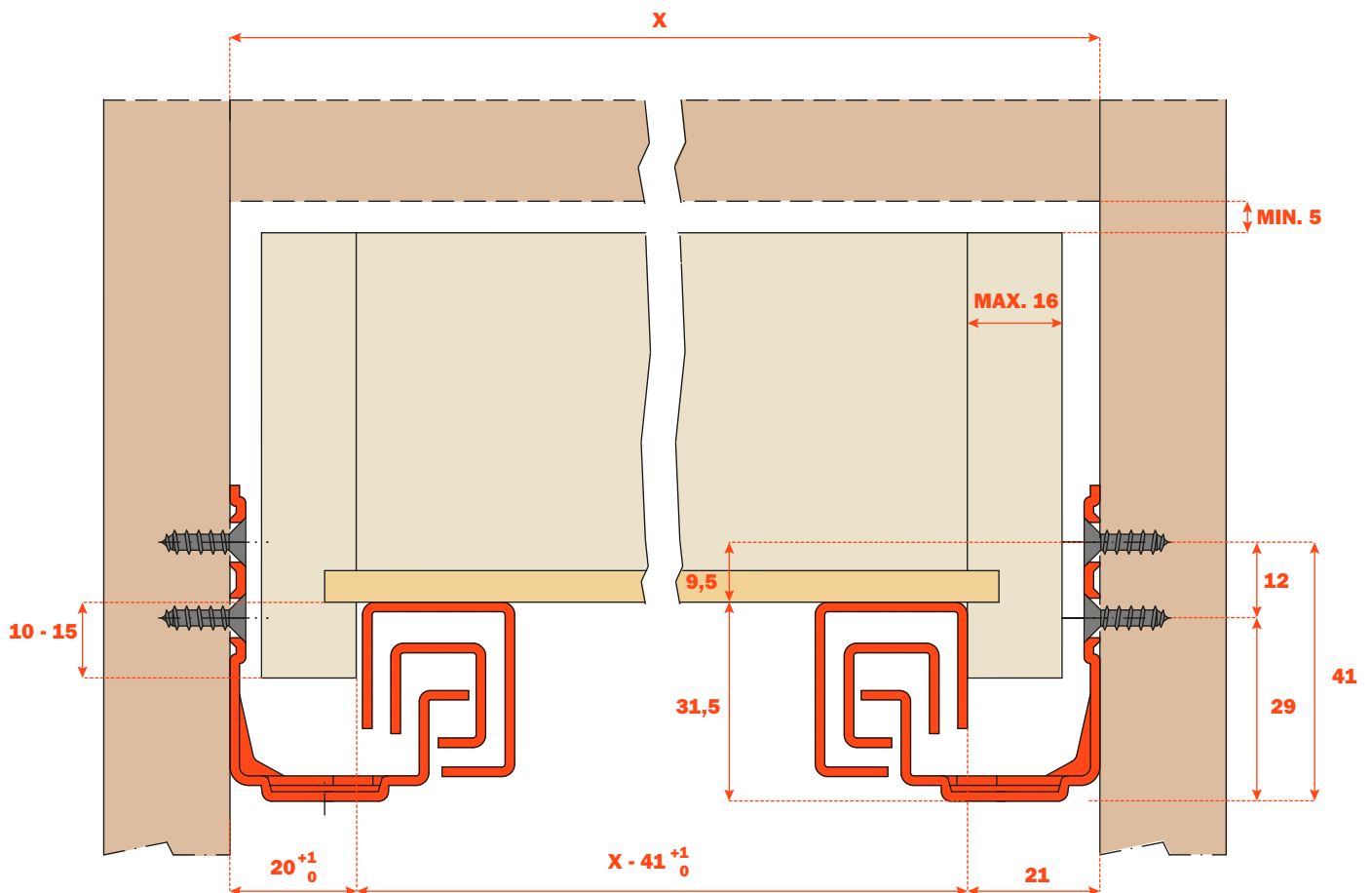
Full-extension runner fixed to the drawer by clip.

Product features

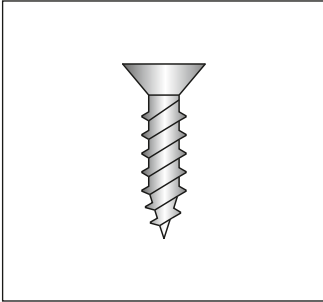
- Dynamic load capacity N 294 (Kg 30).
- Self-closing device on drawer.
- Safety system that prevents the drawers from turning over.
- Drawer height adjustment +2.5 mm with clip 10 710.
- Drawer height adjustment +2.5, side adjustment ± 1.5 mm, depth adjustment ± 2 mm with clip 10 750.
- The drawer is maintained parallel with the cabinet side during opening.
- Compatible with ART. 615.
- Finish: bright zinc-plated.



Dimensions



Part number



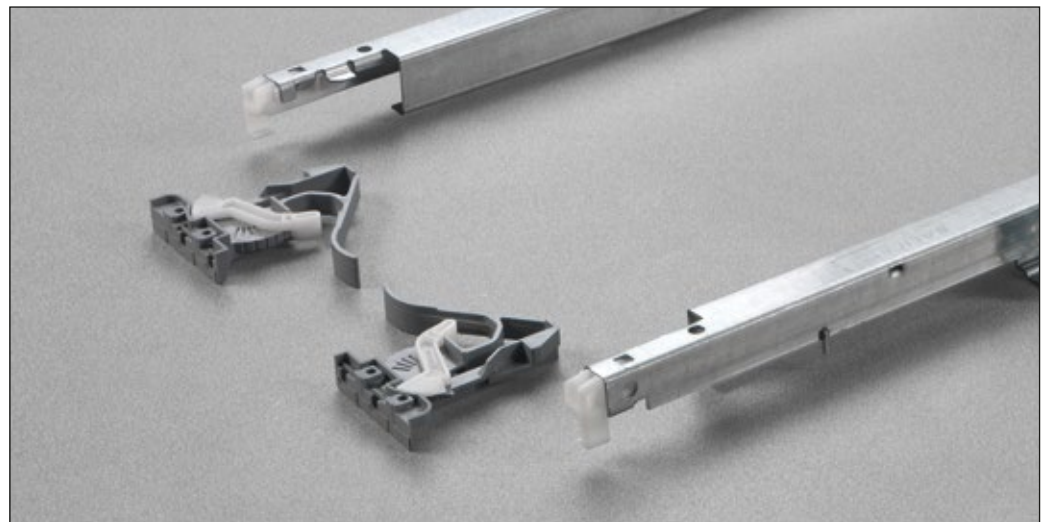
To be screw fixed
Screw TSP \varnothing 3,5 mm

| BASIC PART NUMBER | RUNNER LENGTH (LN) | = | MIN. DEPTH OF THE CABINET (PM) |
|----------------------|--------------------|---|--------------------------------|
| 1 0 655 00 250 2 0 0 | 250 | | 260 |
| 1 0 655 00 270 2 0 0 | 270 | | 280 |
| 1 0 655 00 300 2 0 0 | 300 | | 310 |
| 1 0 655 00 350 2 0 0 | 350 | | 360 |
| 1 0 655 00 400 2 0 0 | 400 | | 410 |
| 1 0 655 00 450 2 0 0 | 450 | | 460 |
| 1 0 655 00 470 2 0 0 | 470 | | 480 |
| 1 0 655 00 500 2 0 0 | 500 | | 510 |
| 1 0 655 00 550 2 0 0 | 550 | | 555 |
| 1 0 655 00 600 2 0 0 | 600 | | 605 |

Fixing the drawer onto the runners

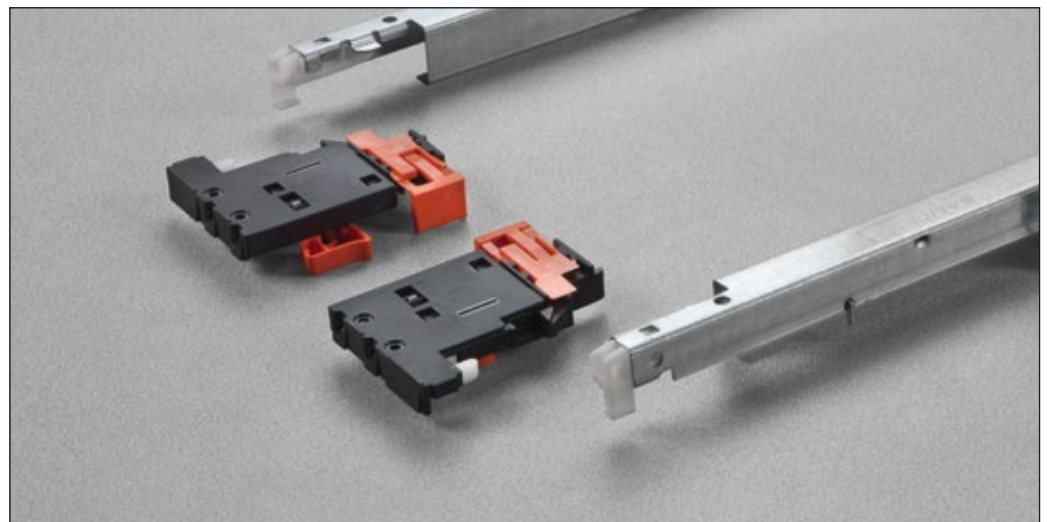
Clip part number 1 0 710 00 010 1 0 0

Detail of the clip with tool free integrated height adjustment.



Clip part number 1 0 750 00 010 1 0 0

Detail of the tool free integrated 3-way adjustment clip (height, depth and side adjustment).



Futura Push





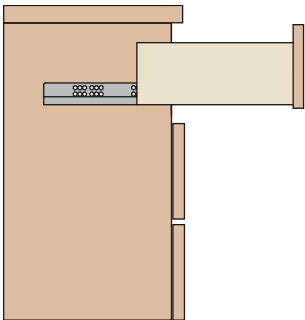
Part-extension runner fixed to the drawer by pin-fix clip.

Push: the new opening system for handle-less drawers, is fully integrated in the runner.

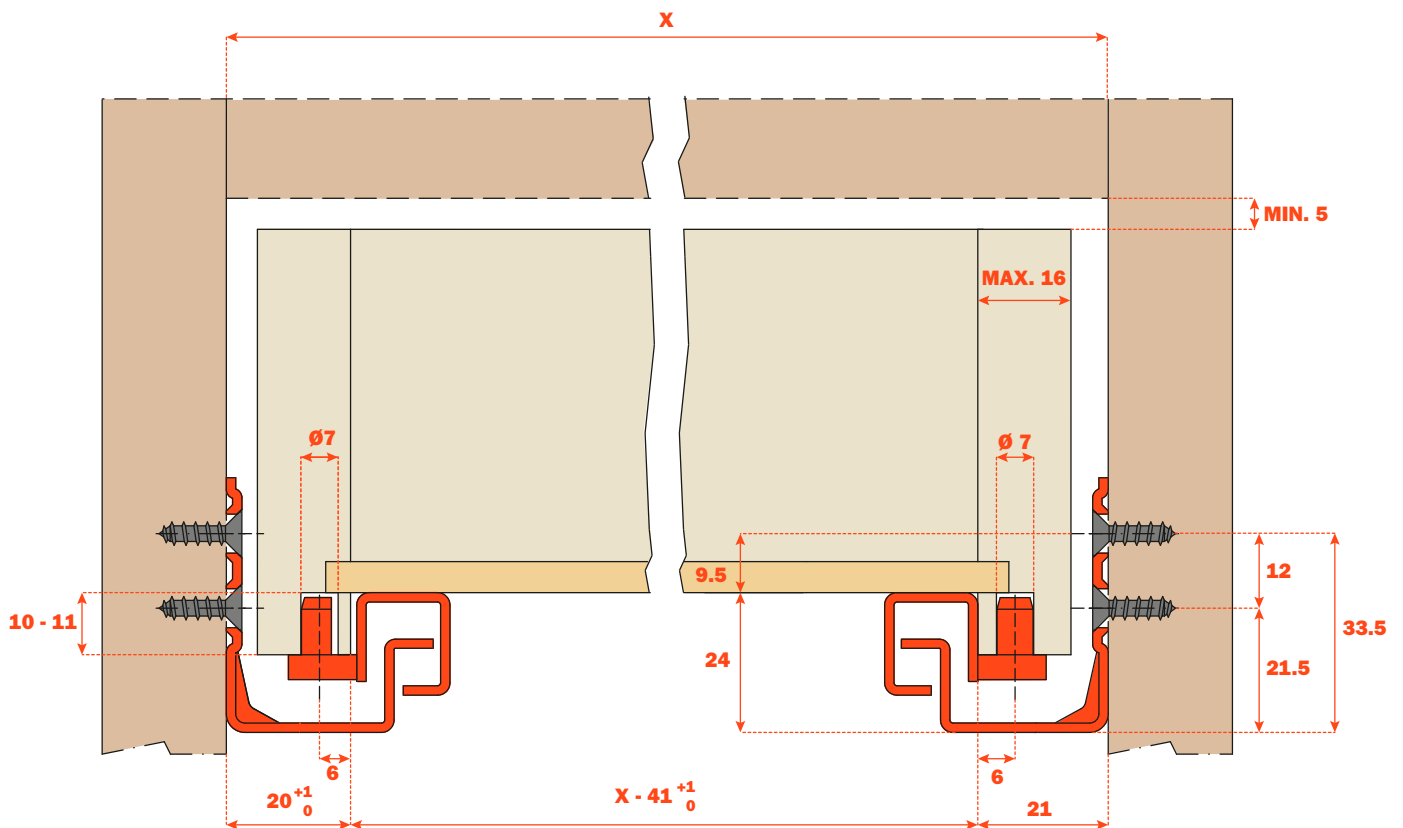
A slight pressure of the drawer frontal is sufficient for the drawer to self-open.

Product features

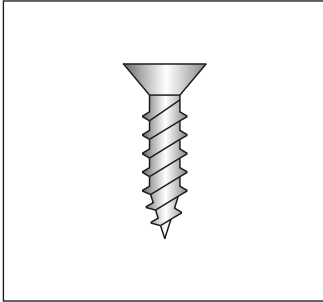
- Dynamic load capacity N 294 (Kg 30).
- Push opening system.
- Safety system that prevents the drawers from turning over.
- Drawer height adjustment +3 mm.
- Drawer depth adjustment ± 2 mm.
- The drawer is maintained parallel with the cabinet side during opening.
- Drawer fixing without screws.
- The drawer is held in the closed.
- Compatible with ART. 6527.
- Finish: bright zinc-plated.



Dimensions



Part number

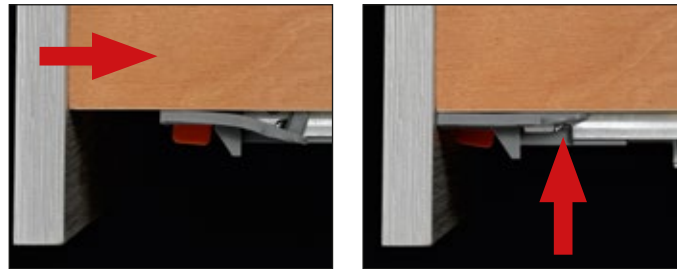


To be screw fixed
Screw TSP \varnothing 3,5 mm

| BASIC PART NUMBER | RUNNER LENGTH (LN) | = | MIN. DEPTH OF THE CABINET (PM) |
|----------------------|--------------------|---|--------------------------------|
| 1 0 612 70 250 2 0 0 | 250 | | 250 |
| 1 0 612 70 270 2 0 0 | 270 | | 270 |
| 1 0 612 70 300 2 0 0 | 300 | | 300 |
| 1 0 612 70 350 2 0 0 | 350 | | 350 |
| 1 0 612 70 400 2 0 0 | 400 | | 400 |
| 1 0 612 70 450 2 0 0 | 450 | | 450 |
| 1 0 612 70 470 2 0 0 | 470 | | 470 |
| 1 0 612 70 500 2 0 0 | 500 | | 500 |
| 1 0 612 70 550 2 0 0 | 550 | | 550 |
| 1 0 612 70 600 2 0 0 | 600 | | 600 |

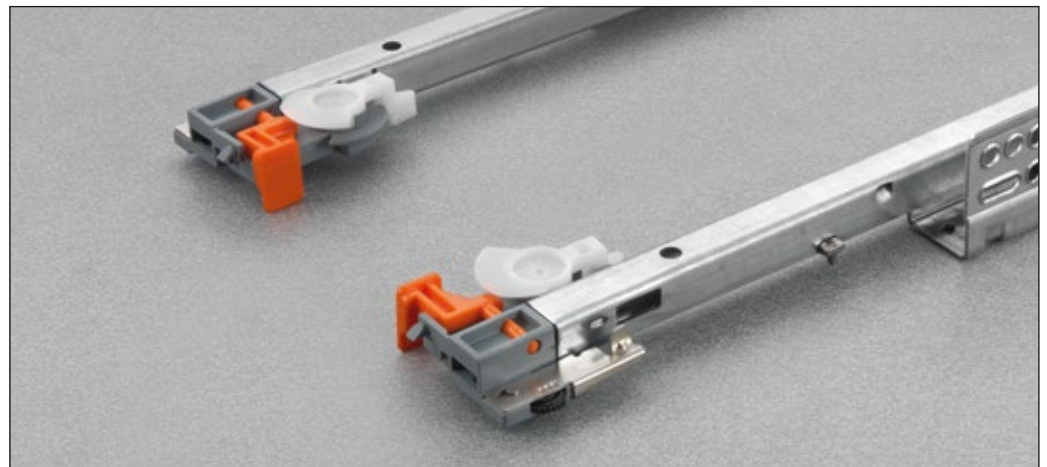
Fixing the drawer onto the runners

The flexibility of the system enables the locating pin to be engaged simply by placing the drawer onto the runners and closing it.

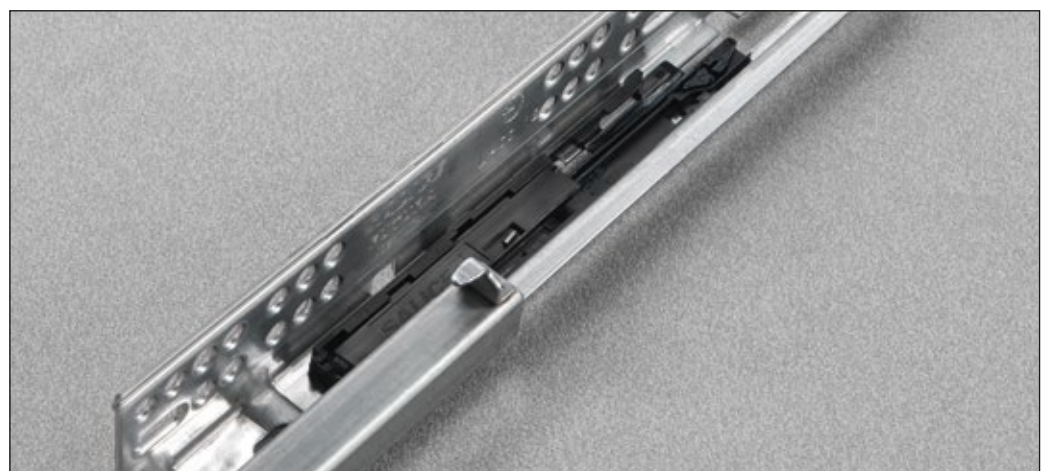


Detail of the pin-fix clip premounted on the runner, with:

- Tool free height and depth adjustment;
- Safety device to prevent the drawers from turning over;
- Locating pin.



Detail of the Push system integrated into the runner which allows the opening of handle-less drawers.



Futura Push 6157 - Concealed runner

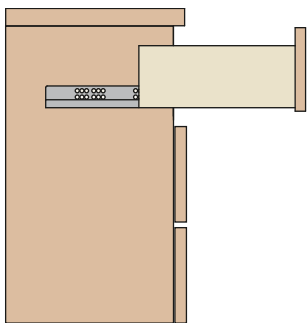


Part-extension runner fixed to the drawer by clip.

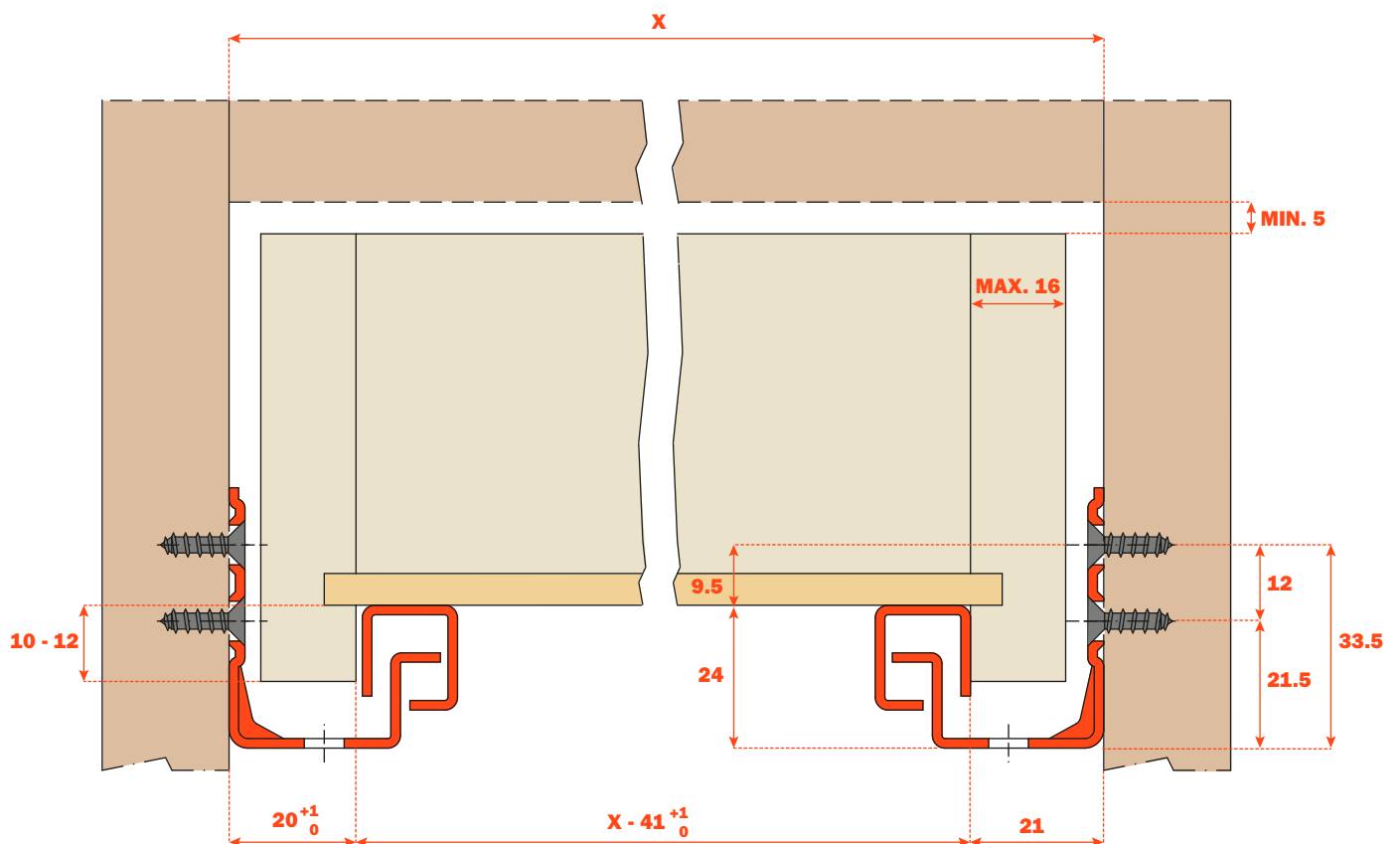
Push: the new opening system for handle-less drawers, is fully integrated in the runner.
A slight pressure of the drawer frontal is sufficient for the drawer to self-open.

Product features

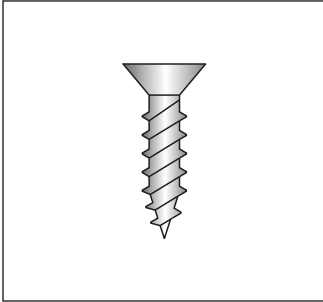
- Dynamic load capacity N 294 (Kg 30).
- With Push opening system.
- Safety system that prevents the drawers from turning over.
- Drawer height adjustment +2,5 mm.
- The drawer is maintained parallel with the cabinet side during opening.
- The drawer is held in the closed position.
- Compatible with ART. 6557.
- Finish: bright zinc-plated.



Dimensions



Part number



To be screw fixed
Screw TSP \varnothing 3,5 mm

| BASIC PART NUMBER | RUNNER LENGTH (LN) | = | MIN. DEPTH OF THE CABINET (PM) |
|----------------------|--------------------|---|--------------------------------|
| 1 0 615 70 250 2 0 0 | 250 | | 250 |
| 1 0 615 70 270 2 0 0 | 270 | | 270 |
| 1 0 615 70 300 2 0 0 | 300 | | 300 |
| 1 0 615 70 350 2 0 0 | 350 | | 350 |
| 1 0 615 70 400 2 0 0 | 400 | | 400 |
| 1 0 615 70 450 2 0 0 | 450 | | 450 |
| 1 0 615 70 470 2 0 0 | 470 | | 470 |
| 1 0 615 70 500 2 0 0 | 500 | | 500 |
| 1 0 615 70 550 2 0 0 | 550 | | 550 |
| 1 0 615 70 600 2 0 0 | 600 | | 600 |

Fixing the drawer onto the runners

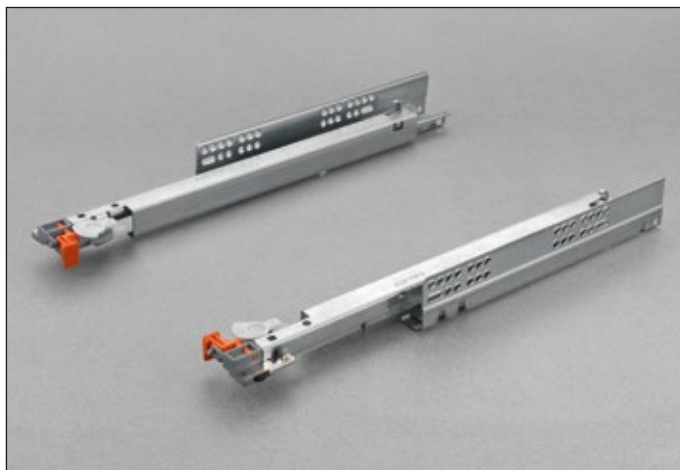
Clip part number **1 0 710 00 010 1 0 0**

Detail of the clip with tool free integrated height adjustment.



Detail of the Push system integrated into the runner which allows the opening of handle-less drawers.





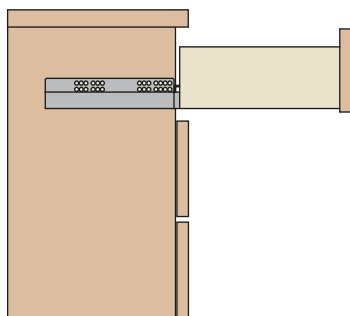
Full-extension runner fixed to the drawer by pin-fix clip.

Push: the new opening system for handle-less drawers, is fully integrated in the runner.

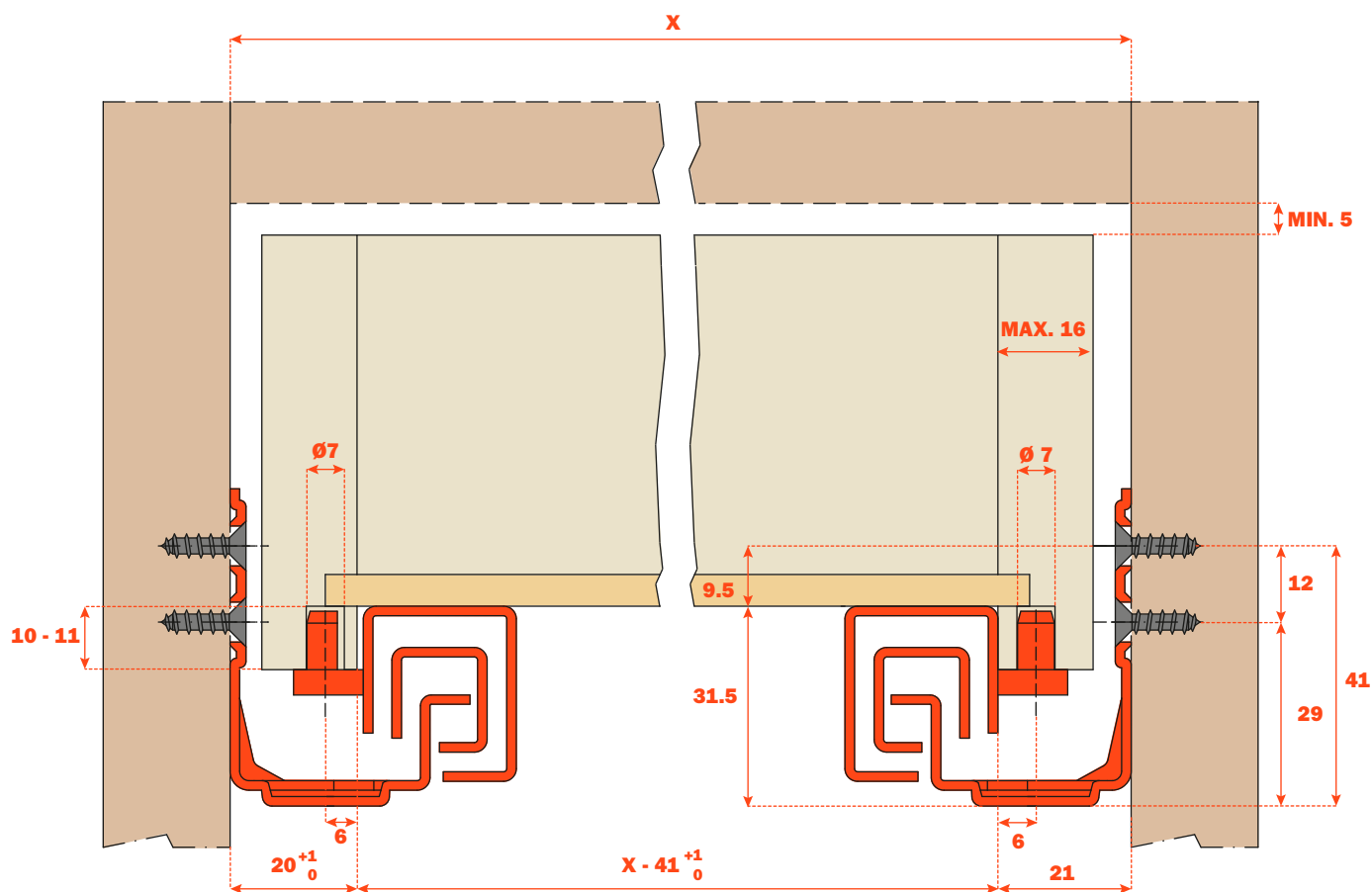
A slight pressure of the drawer frontal is sufficient for the drawer to self-open.

Product features

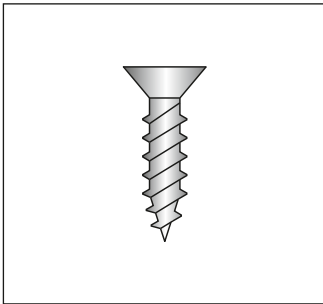
- Dynamic load capacity N 294 (Kg 30).
- Push opening system.
- Safety system that prevents the drawers from turning over.
- Drawer height adjustment +3 mm.
- Drawer depth adjustment ± 2 mm.
- The drawer is maintained parallel with the cabinet side during opening.
- Drawer fixing without screws.
- The drawer is held in the closed position and requires positive effort to open it.
- Compatible with ART. 6127.
- Finish: bright zinc-plated.



Dimensions



Part number

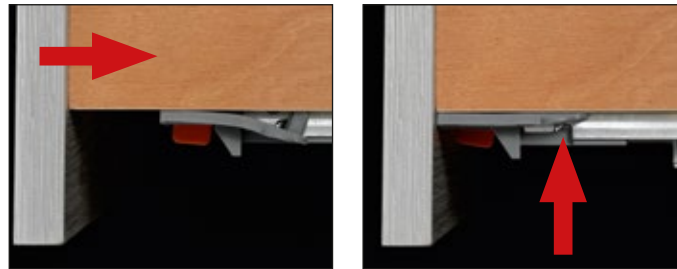


To be screw fixed
Screw TSP \varnothing 3,5 mm

| BASIC PART NUMBER | RUNNER LENGTH (LN) | = | MIN. DEPTH OF THE CABINET (PM) |
|----------------------|--------------------|---|--------------------------------|
| 1 0 652 70 250 2 0 0 | 250 | | 260 |
| 1 0 652 70 270 2 0 0 | 270 | | 280 |
| 1 0 652 70 300 2 0 0 | 300 | | 310 |
| 1 0 652 70 350 2 0 0 | 350 | | 360 |
| 1 0 652 70 400 2 0 0 | 400 | | 410 |
| 1 0 652 70 450 2 0 0 | 450 | | 460 |
| 1 0 652 70 470 2 0 0 | 470 | | 480 |
| 1 0 652 70 500 2 0 0 | 500 | | 510 |
| 1 0 652 70 550 2 0 0 | 550 | | 555 |
| 1 0 652 70 600 2 0 0 | 600 | | 605 |

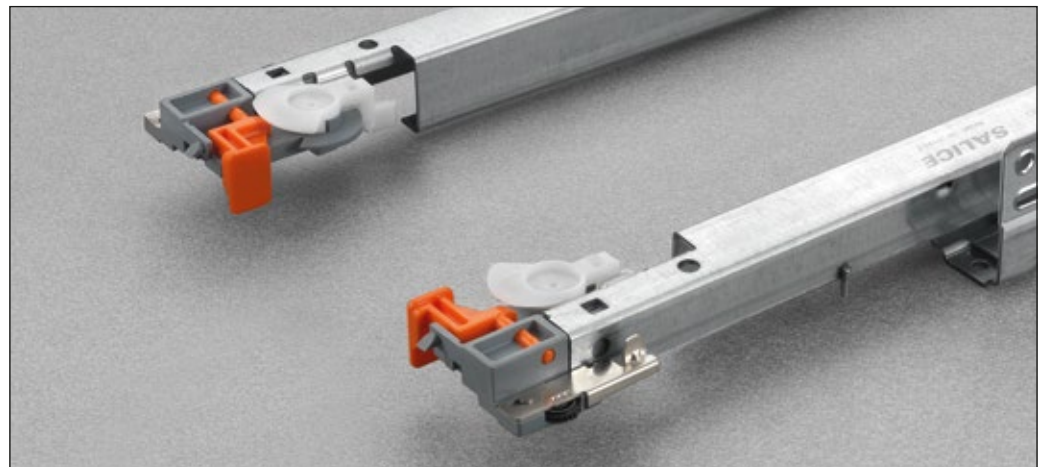
Fixing the drawer onto the runners

The flexibility of the system enables the locating pin to be engaged simply by placing the drawer onto the runners and closing it.

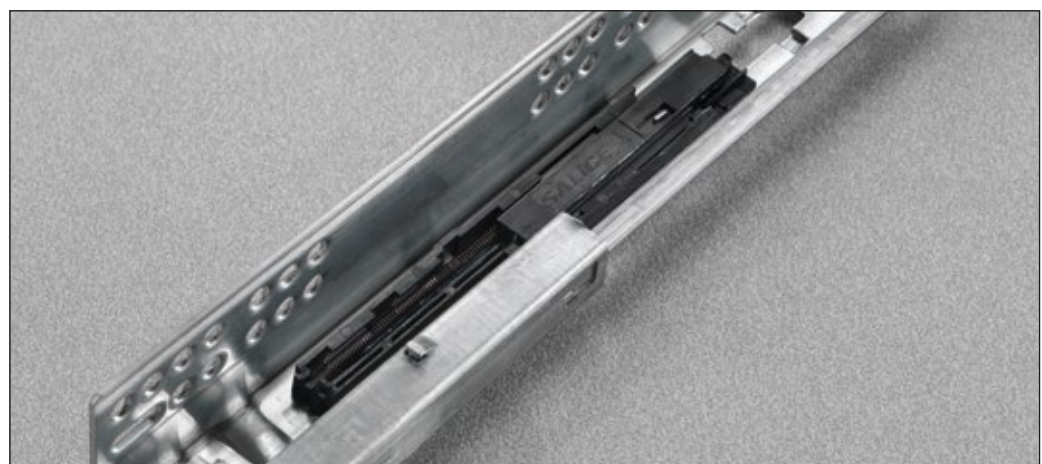


Detail of the pin-fix clip premounted on the runner, with:

- Tool free height and depth adjustment;
- Safety device to prevent the drawers from turning over;
- Locating pin.



Detail of the Push system integrated into the runner which allows the opening of handle-less drawers.





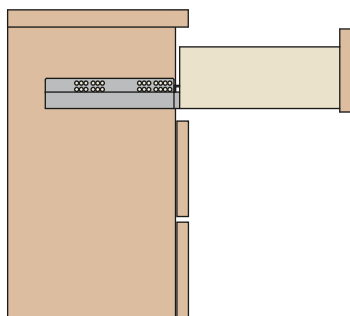
Full-extension runner fixed to the drawer by clip.

Push: the new opening system for handle-less drawers, is fully integrated in the runner.

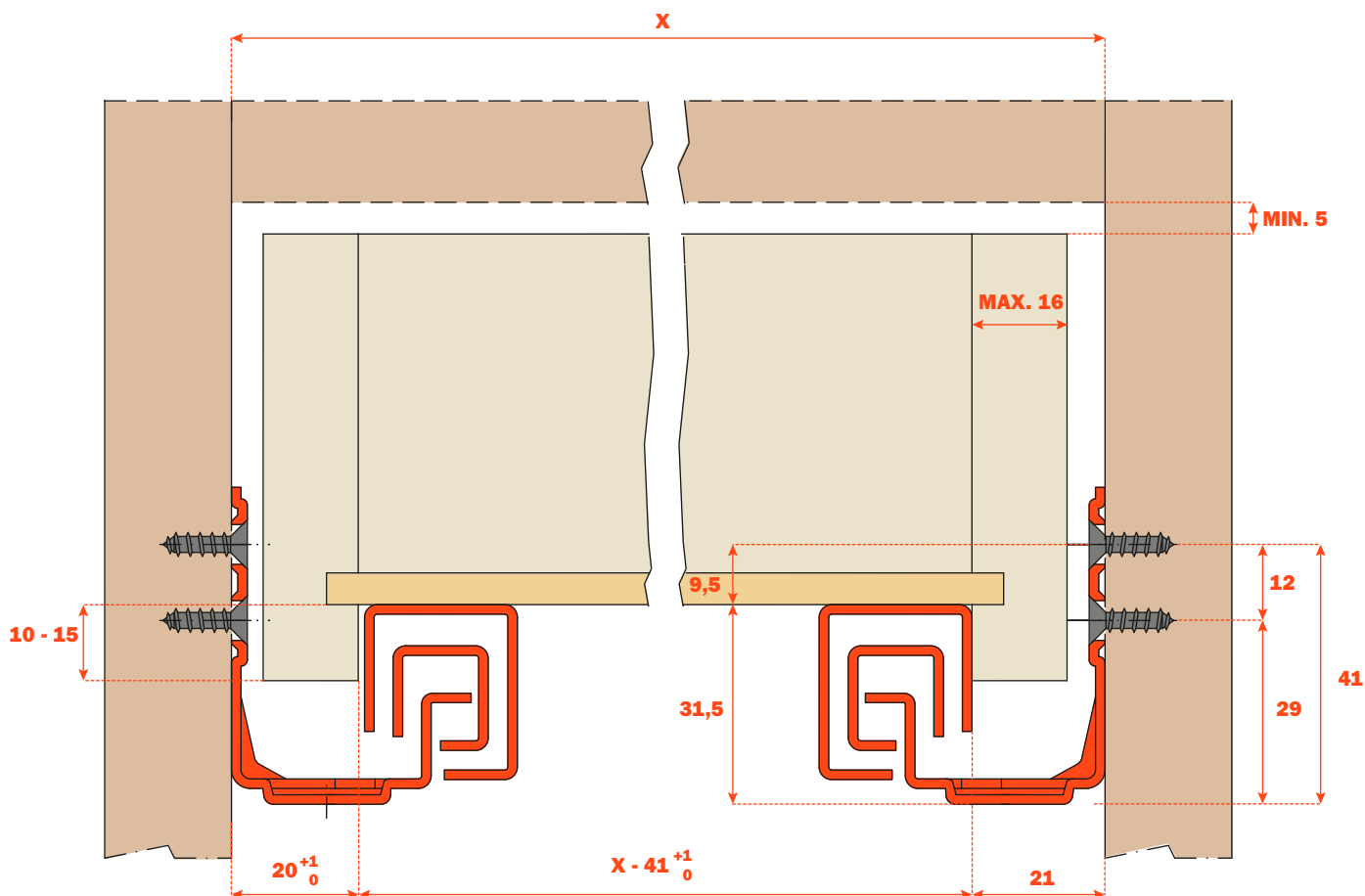
A slight pressure of the drawer frontal is sufficient for the drawer to self-open.

Product features

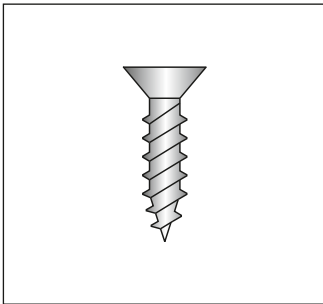
- Dynamic load capacity N 294 (Kg 30).
- Push opening system.
- Safety system that prevents the drawers from turning over.
- Drawer height adjustment +2.5 mm with clip 10 710.
- Drawer height adjustment +2.5 mm, side adjustment ± 1.5 mm depth adjustment ± 2 mm with clip 10 750.
- The drawer is maintained parallel with the cabinet side during opening.
- The drawer is held in the closed position.
- Compatible with ART. 6157.
- Finish: bright zinc-plated.



Dimensions



Part number



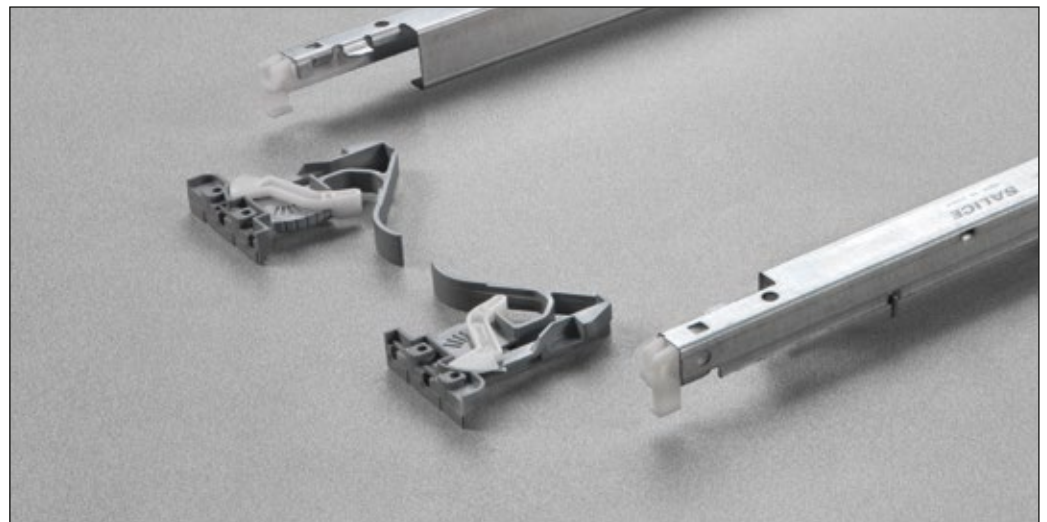
To be screw fixed
Screw TSP \varnothing 3,5 mm

| BASIC PART NUMBER | RUNNER LENGTH (LN) | = | MIN. DEPTH OF THE CABINET (PM) |
|----------------------|--------------------|---|--------------------------------|
| 1 0 655 70 250 2 0 0 | 250 | | 260 |
| 1 0 655 70 270 2 0 0 | 270 | | 280 |
| 1 0 655 70 300 2 0 0 | 300 | | 310 |
| 1 0 655 70 350 2 0 0 | 350 | | 360 |
| 1 0 655 70 400 2 0 0 | 400 | | 410 |
| 1 0 655 70 450 2 0 0 | 450 | | 460 |
| 1 0 655 70 470 2 0 0 | 470 | | 480 |
| 1 0 655 70 500 2 0 0 | 500 | | 510 |
| 1 0 655 70 550 2 0 0 | 550 | | 555 |
| 1 0 655 70 600 2 0 0 | 600 | | 605 |

Fixing the drawer onto the runners

Clip part number **1 0 710** 00 010 1 0 0

Detail of the clip with tool free integrated height adjustment.



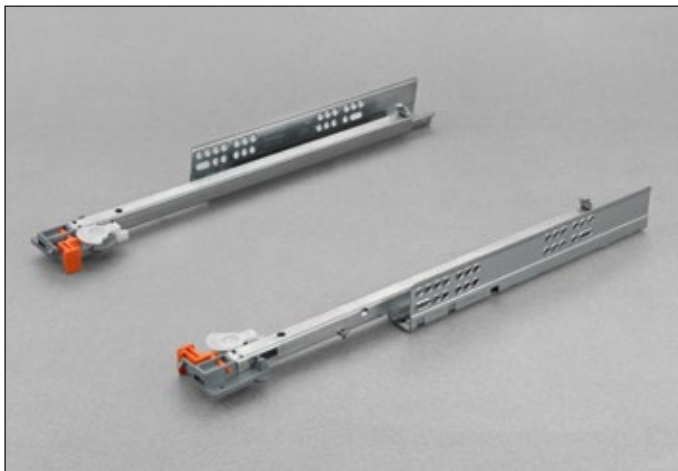
Clip part number **1 0 750** 00 010 1 0 0

Detail of the tool free integrated 3-way adjustment clip (height, depth and side adjustment).



Futura Smove



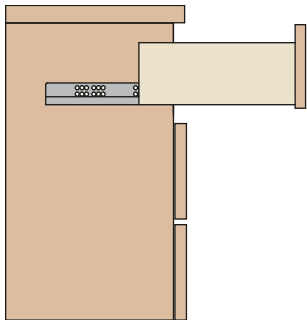


Part-extension runner fixed to the drawer by pin-fix clip.

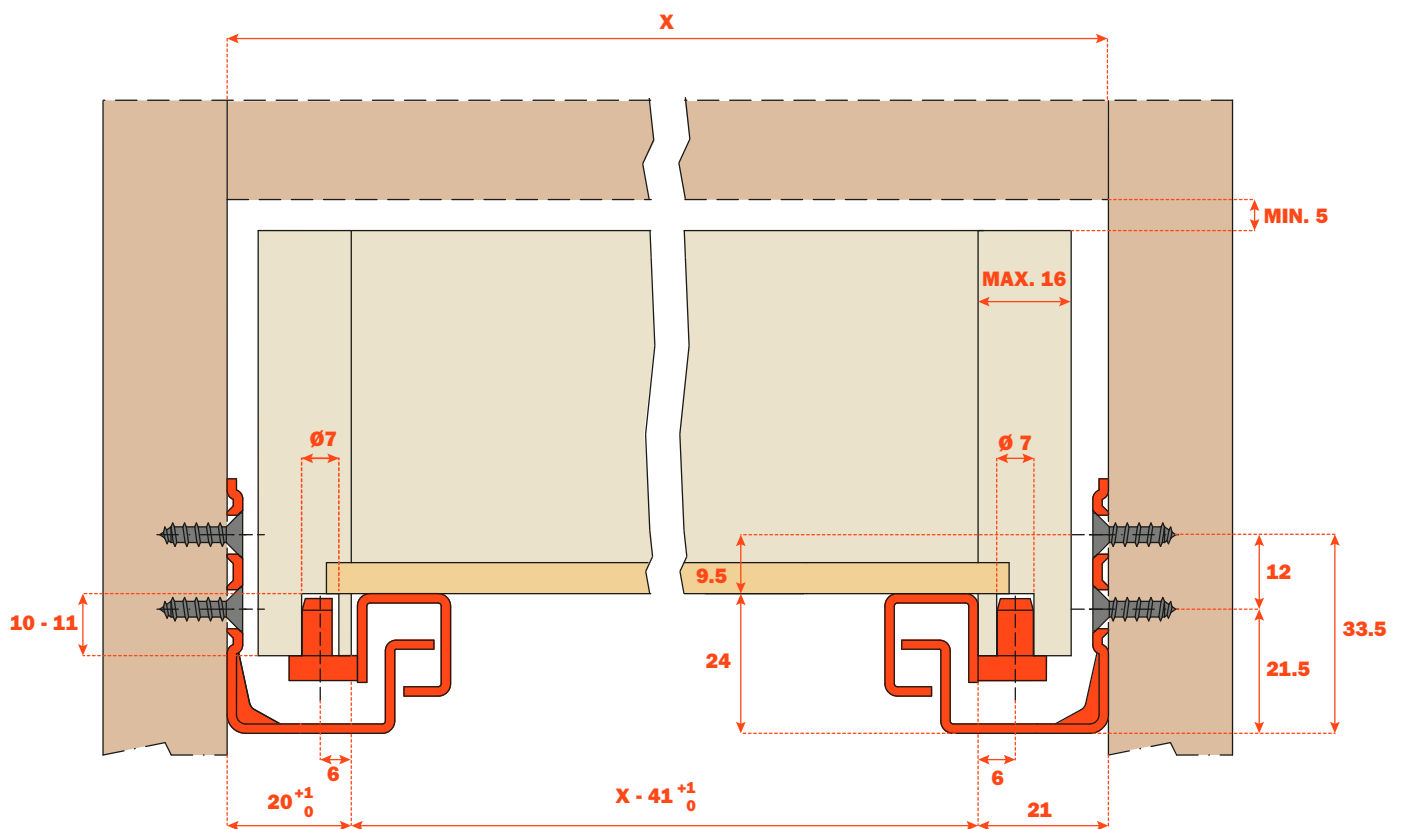
Smove: fully integrated in the runner, decelerates the closing action of the drawer.

Product features

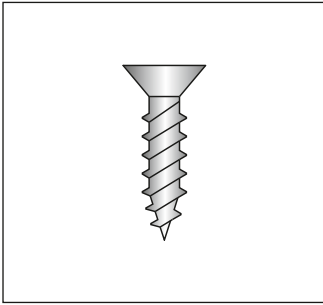
- Dynamic load capacity N 294 (Kg 30).
- Smove decelerated closing.
- Safety system that prevents the drawers from turning over.
- Drawer height adjustment +3 mm.
- The drawer is maintained parallel with the cabinet side during opening.
- Drawer fixing without screws.
- Compatible with ART. 6525.
- Finish: bright zinc-plated.



Dimensions



Part number

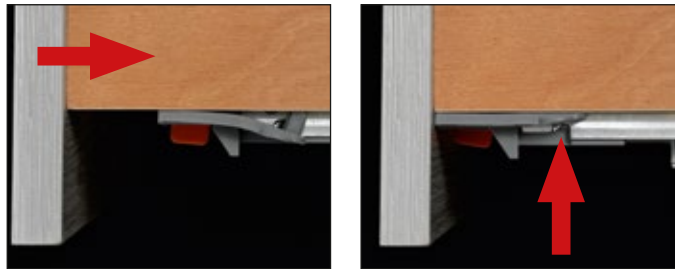


To be screw fixed
Screw TSP \varnothing 3,5 mm

| BASIC PART NUMBER | RUNNER LENGTH (LN) | = | MIN. DEPTH OF THE CABINET (PM) |
|----------------------|--------------------|---|--------------------------------|
| 1 0 612 50 270 2 0 0 | 250 | | 270 |
| 1 0 612 50 300 2 0 0 | 300 | | 300 |
| 1 0 612 50 350 2 0 0 | 350 | | 350 |
| 1 0 612 50 400 2 0 0 | 400 | | 400 |
| 1 0 612 50 450 2 0 0 | 450 | | 450 |
| 1 0 612 50 470 2 0 0 | 470 | | 470 |
| 1 0 612 50 500 2 0 0 | 500 | | 500 |
| 1 0 612 50 550 2 0 0 | 550 | | 550 |
| 1 0 612 50 600 2 0 0 | 600 | | 600 |

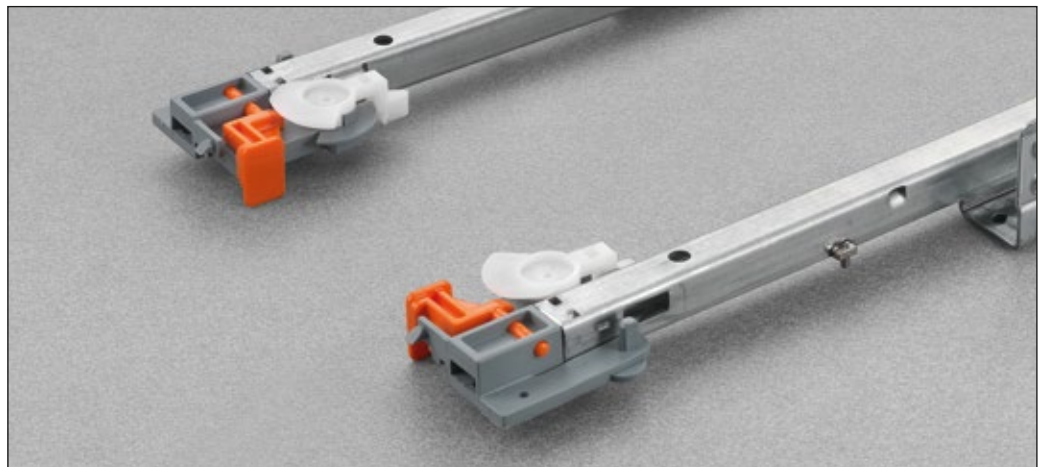
Fixing the drawer onto the runners

The flexibility of the system enables the locating pin to be engaged simply by placing the drawer onto the runners and closing it.



Detail of the pin-fix clip premounted on the runner, with:

- Tool free height adjustment;
- Safety device to prevent the drawers from turning over;
- Locating pin.



Detail of the Smove system integrated into the runner which allows the decelerated closing of the drawers.



Futura Smove 6155 - Concealed runner

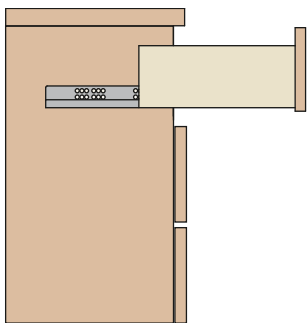


Part-extension runner fixed to the drawer by clip.

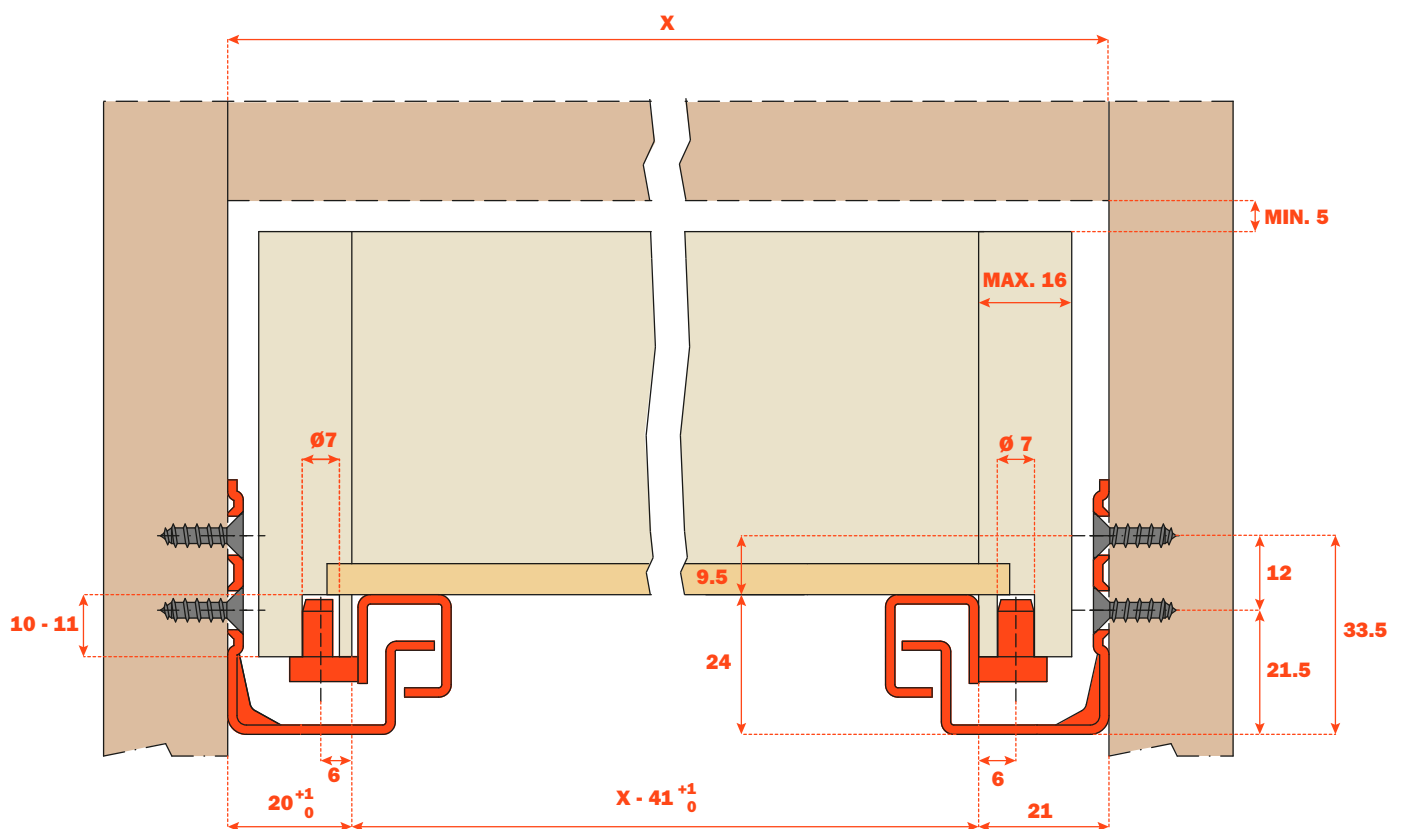
Smove: fully integrated in the runner, decelerates the closing action of the drawer.

Product features

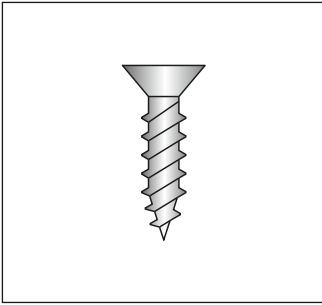
- Dynamic load capacity N 294 (Kg 30).
- Smove decelerated closing.
- Safety system that prevents the drawers from turning over.
- Drawer height adjustment +2,5 mm.
- The drawer is maintained parallel with the cabinet side during opening.
- Compatible with ART. 6555.
- Finish: bright zinc-plated.



Dimensions



Part number



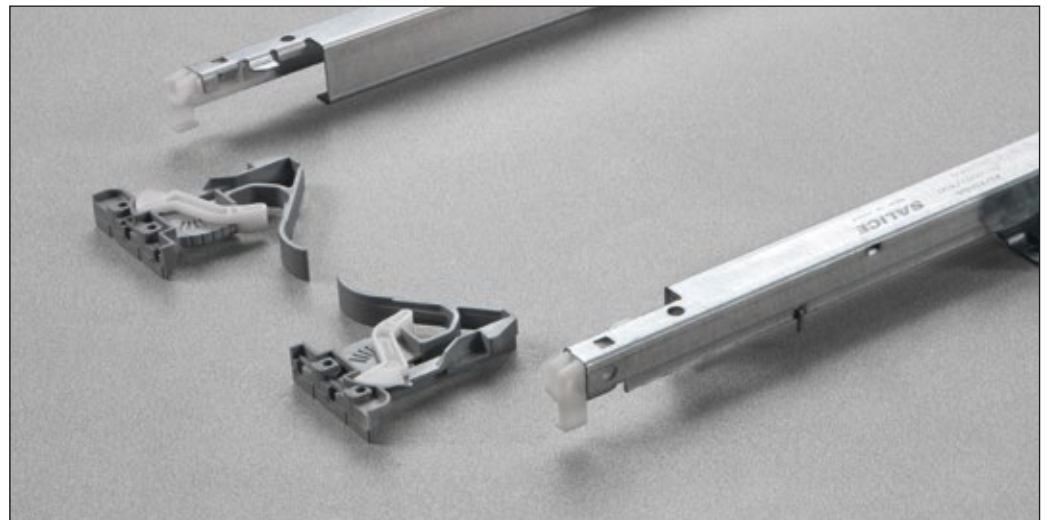
To be screw fixed
Screw TSP \varnothing 3,5 mm

| BASIC PART NUMBER | RUNNER LENGTH (LN) | = | MIN. DEPTH OF THE CABINET (PM) |
|----------------------|--------------------|---|--------------------------------|
| 1 0 615 50 250 2 0 0 | 250 | | 250 |
| 1 0 615 50 270 2 0 0 | 270 | | 270 |
| 1 0 615 50 300 2 0 0 | 300 | | 300 |
| 1 0 615 50 350 2 0 0 | 350 | | 350 |
| 1 0 615 50 400 2 0 0 | 400 | | 400 |
| 1 0 615 50 450 2 0 0 | 450 | | 450 |
| 1 0 615 50 470 2 0 0 | 470 | | 470 |
| 1 0 615 50 500 2 0 0 | 500 | | 500 |
| 1 0 615 50 550 2 0 0 | 550 | | 550 |
| 1 0 615 50 600 2 0 0 | 600 | | 600 |

Fixing the drawer onto the runners

Clip part number **1 0 710 00 010 1 0 0**

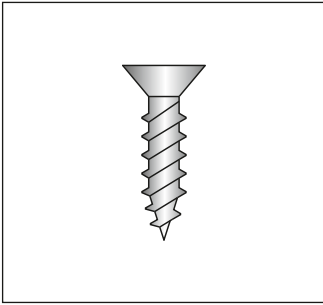
Detail of the clip with tool free integrated height adjustment.



Detail of the Smove system integrated into the runner which allows the decelerated closing of the drawers.



Part number

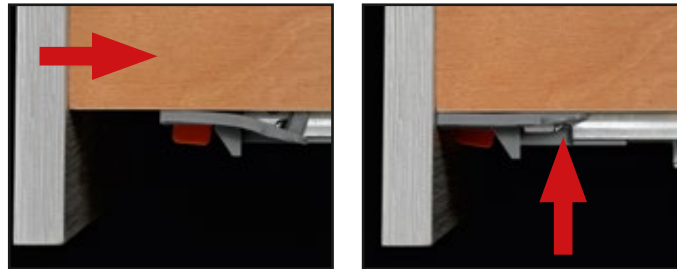


To be screw fixed
Screw TSP \varnothing 3,5 mm

| BASIC PART NUMBER | RUNNER LENGTH (LN) | = | MIN. DEPTH OF THE CABINET (PM) |
|----------------------|--------------------|---|--------------------------------|
| 1 0 652 50 250 2 0 0 | 250 | | 260 |
| 1 0 652 50 270 2 0 0 | 270 | | 280 |
| 1 0 652 50 300 2 0 0 | 300 | | 310 |
| 1 0 652 50 350 2 0 0 | 350 | | 360 |
| 1 0 652 50 400 2 0 0 | 400 | | 410 |
| 1 0 652 50 450 2 0 0 | 450 | | 460 |
| 1 0 652 50 470 2 0 0 | 470 | | 480 |
| 1 0 652 50 500 2 0 0 | 500 | | 510 |
| 1 0 652 50 550 2 0 0 | 550 | | 555 |
| 1 0 652 50 600 2 0 0 | 600 | | 605 |

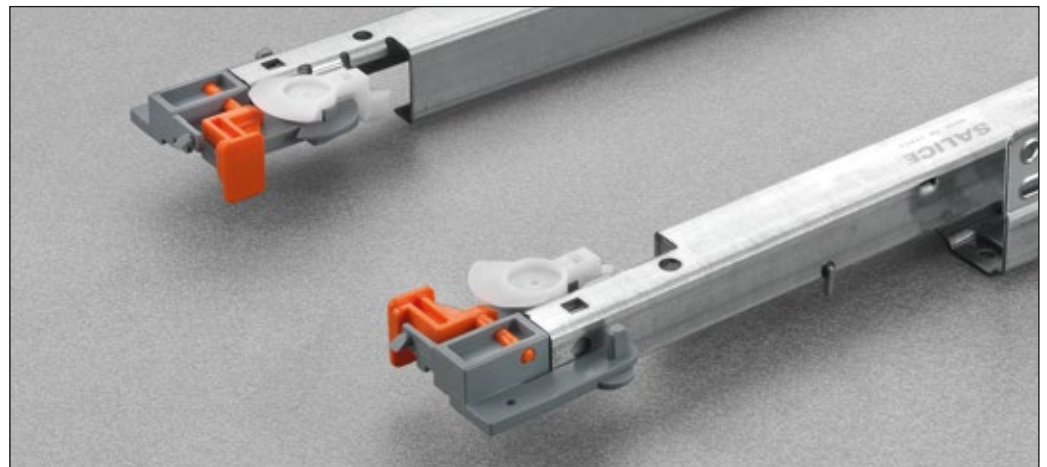
Fixing the drawer onto the runners

The flexibility of the system enables the locating pin to be engaged simply by placing the drawer onto the runners and closing it.

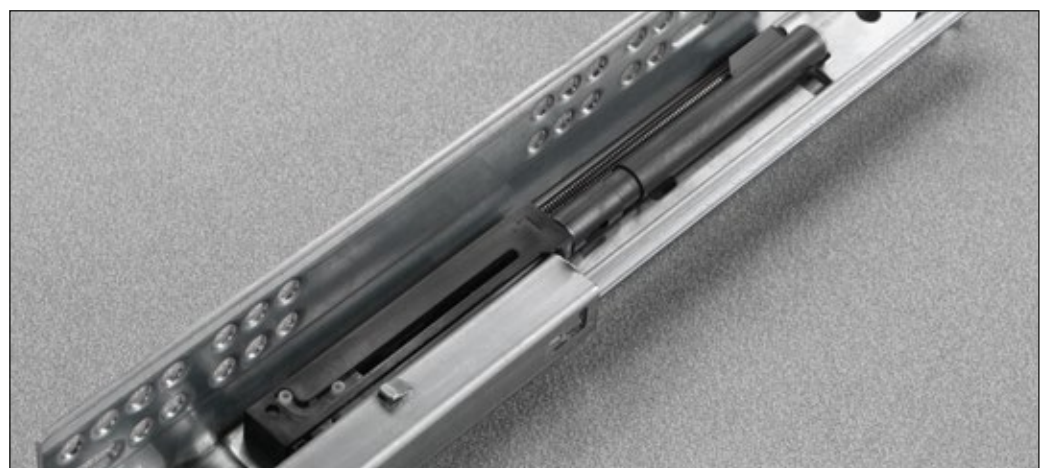


Detail of the pin-fix clip premounted on the runner, with:

- Tool free height adjustment;
- Safety device to prevent the drawers from turning over;
- Locating pin.



Detail of the Smove system integrated into the runner which allows the decelerated closing of the drawers.



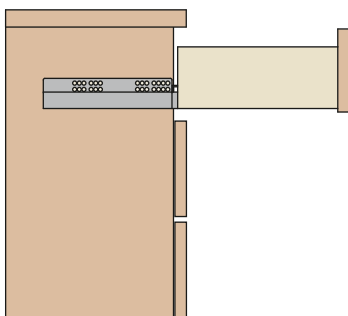


Full-extension runner fixed to the drawer by clip.

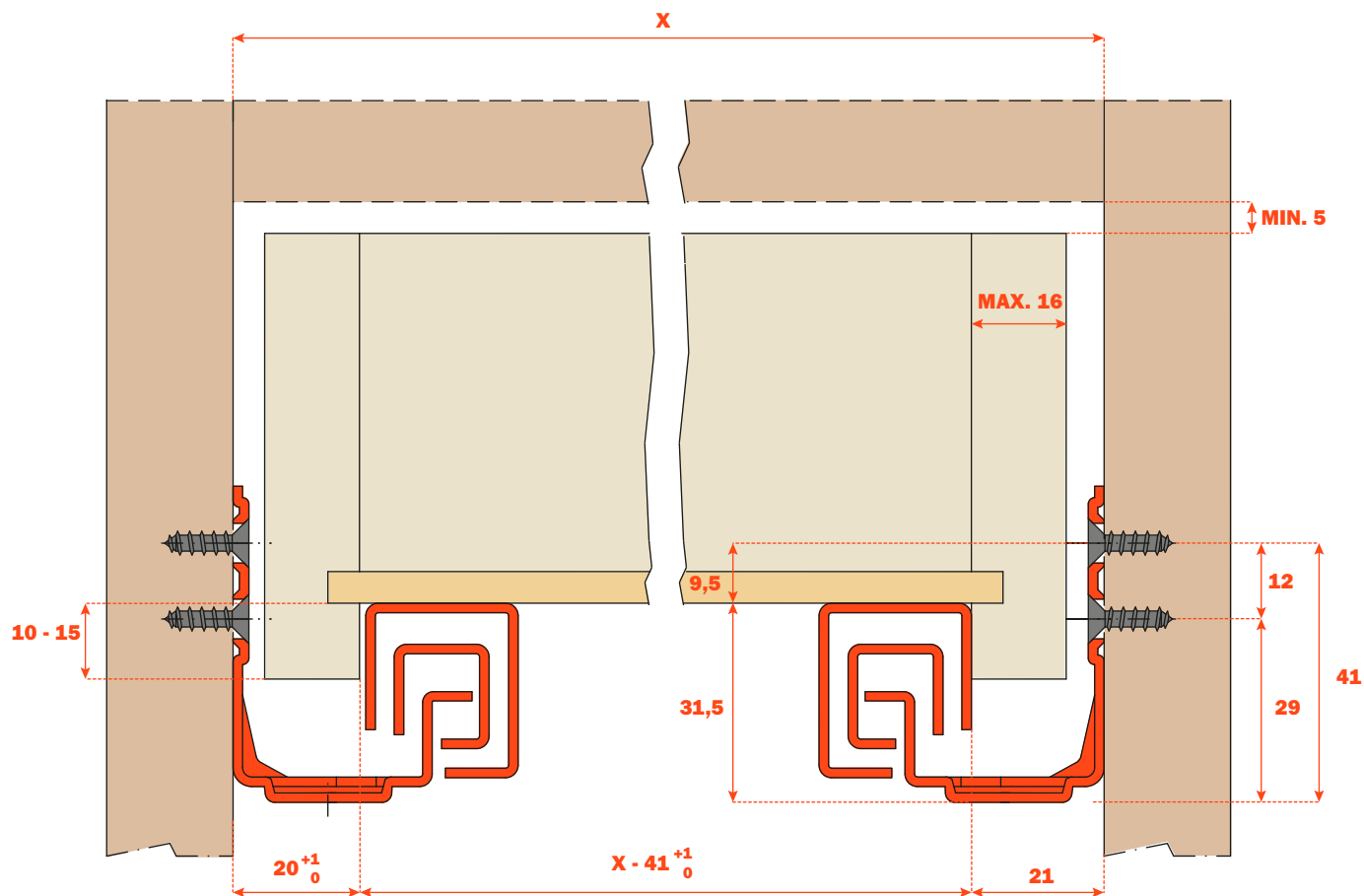
Smove: fully integrated in the runner, decelerates the closing action of the drawer.

Product features

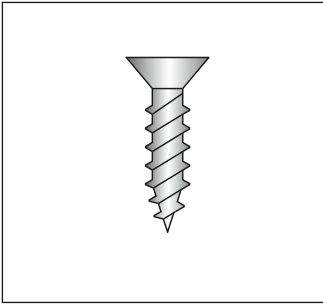
- Dynamic load capacity N 294 (Kg 30).
- Smove decelerated closing.
- Safety system that prevents the drawers from turning over.
- Drawer height adjustment +2.5 mm with clip 10 710.
- Drawer height adjustment +2.5 mm, side adjustment ± 1.5 mm, depth adjustment ± 2 mm with clip 10 750.
- The drawer is maintained parallel with the cabinet side during opening.
- Compatible with ART. 6155.
- Finish: bright zinc-plated.



Dimensions



Part number



To be screw fixed
Screw TSP \varnothing 3,5 mm

| BASIC PART NUMBER | RUNNER LENGTH (LN) | = | MIN. DEPTH OF THE CABINET (PM) |
|----------------------|--------------------|---|--------------------------------|
| 1 0 655 50 250 2 0 0 | 250 | | 260 |
| 1 0 655 50 270 2 0 0 | 270 | | 280 |
| 1 0 655 50 300 2 0 0 | 300 | | 310 |
| 1 0 655 50 350 2 0 0 | 350 | | 360 |
| 1 0 655 50 400 2 0 0 | 400 | | 410 |
| 1 0 655 50 450 2 0 0 | 450 | | 460 |
| 1 0 655 50 470 2 0 0 | 470 | | 480 |
| 1 0 655 50 500 2 0 0 | 500 | | 510 |
| 1 0 655 50 550 2 0 0 | 550 | | 555 |
| 1 0 655 50 600 2 0 0 | 600 | | 605 |

Fixing the drawer onto the runners

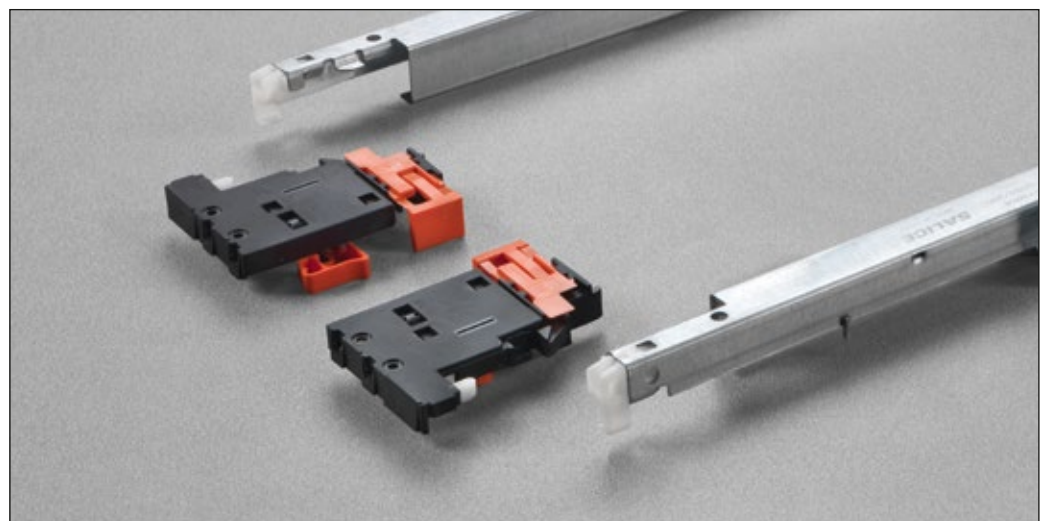
Clip part number **1 0 710** 00 010 1 0 0

Detail of the clip with tool free integrated height adjustment.



Clip part number **1 0 750** 00 010 1 0 0

Detail of the tool free integrated 3-way adjustment clip (height, depth and side adjustment).





Connectors to fix drawer frontal to Futura part-extension runners.

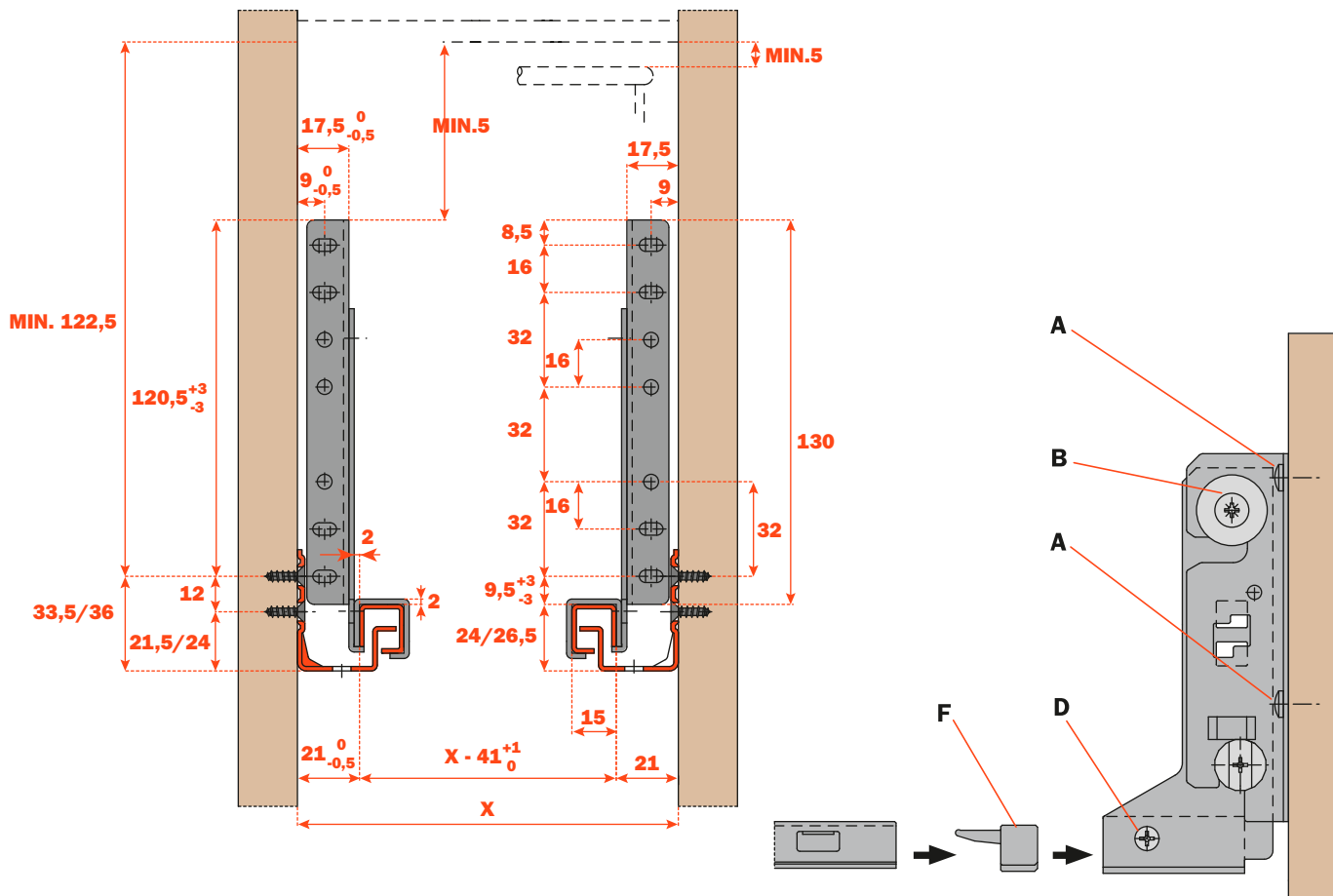
Art.: 615 - 6157 - 6155

Product features

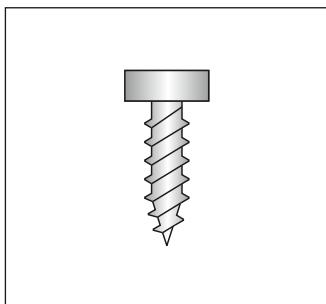
- Vertical adjustment, lateral adjustment and tilt adjustment of the frontal.
- Frontal fixed using screws TCP max. \varnothing 3,9 mm.
- Available heights: 130 mm.
- Finish: epoxy coat metallized grey.

Dimensions and connector assembly instructions

- 1) Insert sliding blocks F into the connectors.
- 2) Insert the connectors inside the front of the runners and retighten the screw D.
- 3) Fix the brackets to the rear of the drawer frontal using screws TCP max. \varnothing 3,9 mm A.
- 4) Locate the drawer frontal onto the connectors and retighten screw B.



Part number



| PART NUMBER |
|--------------------|
| 1 0 60 000 690 600 |

To be screw fixed
Screw TCP max. \varnothing 3,9 mm

Drawer frontal adjustment

1) Vertical adjustment (± 3 mm)

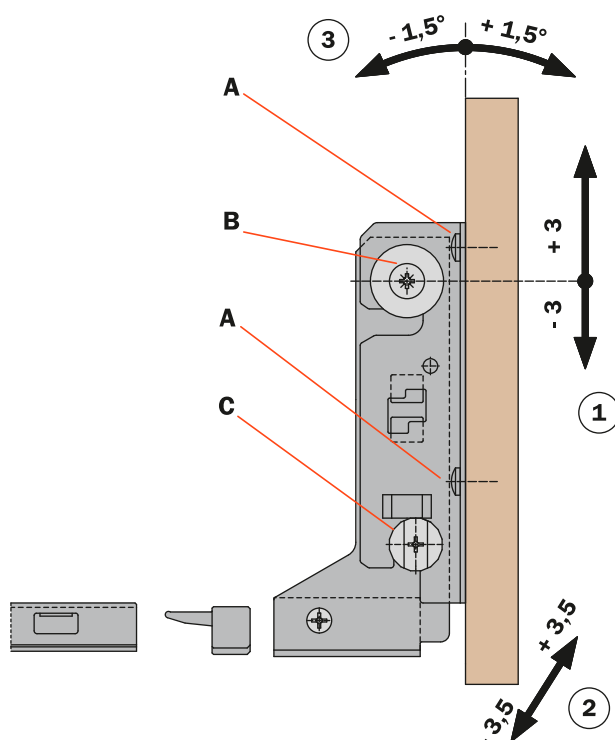
It is possible to adjust the drawer frontal vertically by loosening the fixing screw B and using the cam C. Finally the fixing screw B must be retightened.

2) Lateral adjustment ($\pm 3,5$ mm)

By loosening the fixing screws A it is possible to adjust manually the drawer frontal. Finally the fixing screws A must be retightened.

3) Tilt adjustment ($\pm 1,5^\circ$)

By loosening the fixing screw B it is possible to adjust manually the drawer frontal. Finally the fixing screw B must be retightened.





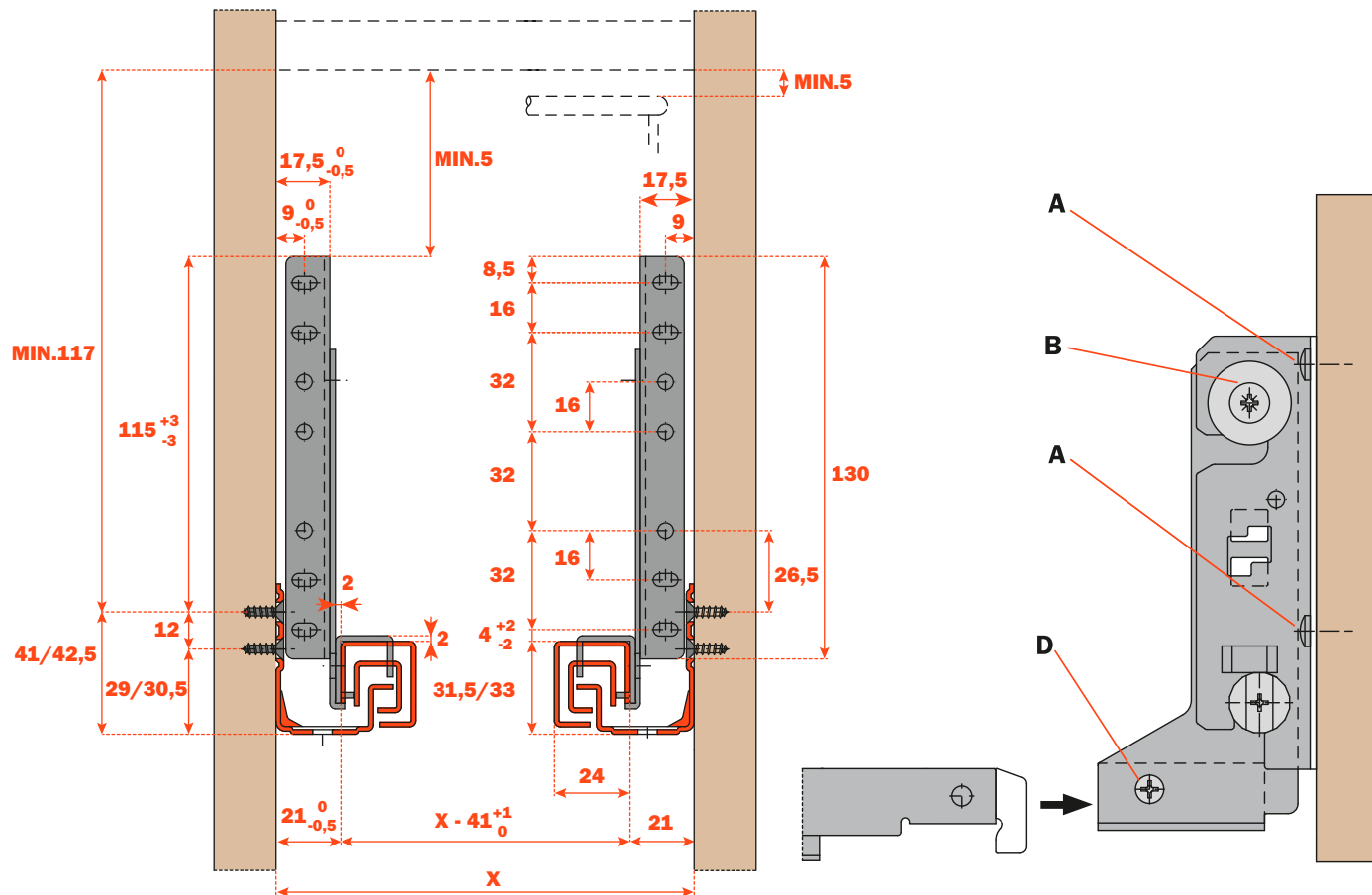
Connectors to fix drawer frontal to Futura full-extension runners.
Art.: 655 - 6557 - 6555

Product features

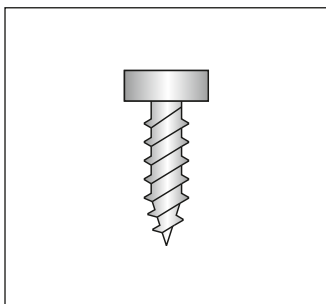
- Vertical adjustment, lateral adjustment and tilt adjustment of the frontal.
- Frontal fixed using screws TCP max. \varnothing 3,9 mm.
- Available heights: 130 mm.
- Finish: epoxy coat metallized grey.

Dimensions and connector assembly instructions

- 1) Insert the connectors inside the front of the runners and retighten the screw D.
- 2) Fix the brackets to the rear of the drawer frontal using screws TCP max. \varnothing 3,9 mm A.
- 3) Locate the drawer frontal onto the connectors and retighten screw B.



Part number



| PART NUMBER |
|--------------------|
| 1 0 60 000 691 600 |

To be screw fixed
Screw TCP max. \varnothing 3,9 mm

Drawer frontal adjustment

1) Vertical adjustment (± 3 mm)

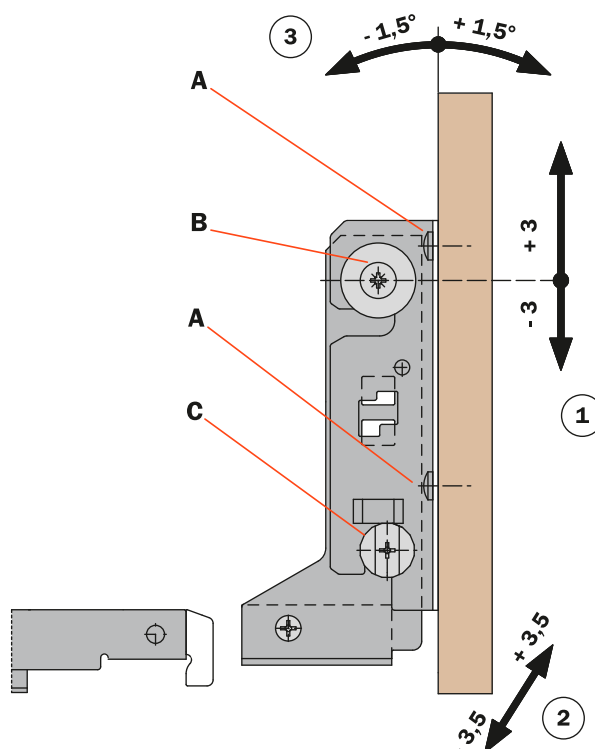
It is possible to adjust the drawer frontal vertically by loosening the fixing screw B and using the cam C. Finally the fixing screw B must be retightened.

2) Lateral adjustment ($\pm 3,5$ mm)

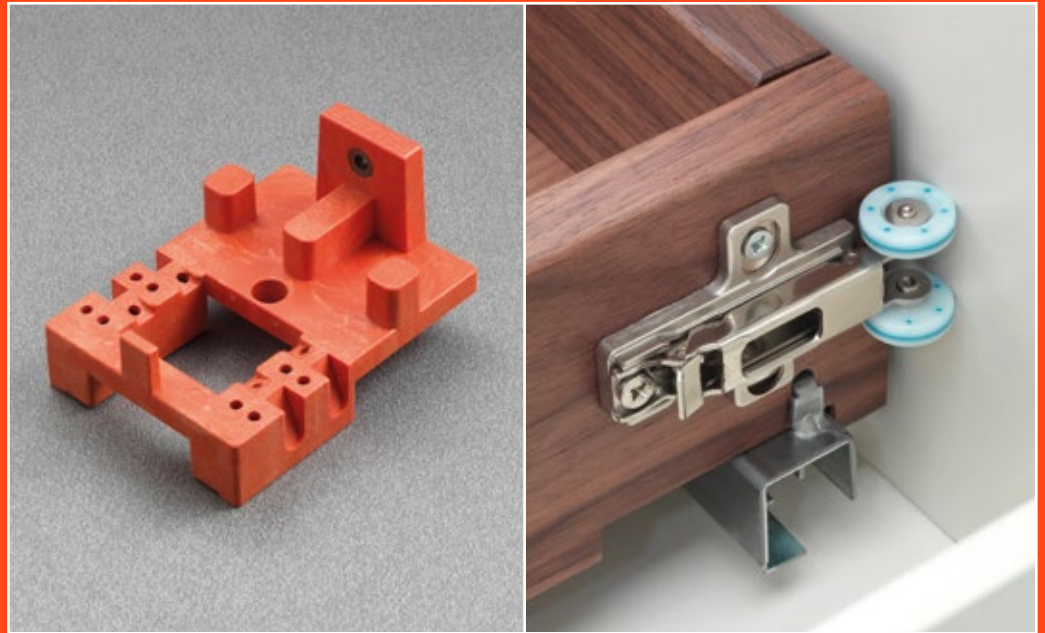
By loosening the fixing screws A it is possible to adjust manually the drawer frontal. Finally the fixing screws A must be retightened.

3) Tilt adjustment ($\pm 1,5^\circ$)

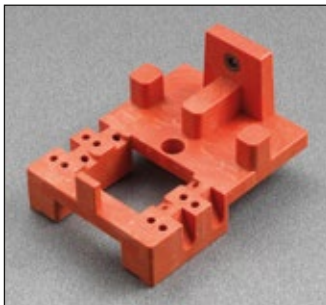
By loosening the fixing screw B it is possible to adjust manually the drawer frontal. Finally the fixing screw B must be retightened.



Accessories



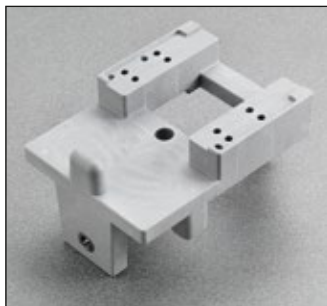
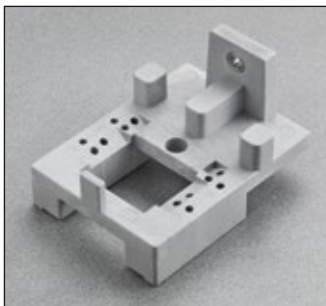
Drawer drilling templates for Futura runners



199800755009

Template for drawer drilling and 1 way adjustable clip fixing

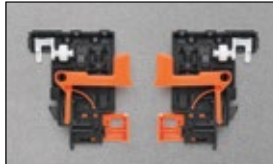
Clip part number **1 0 710** 00 010 1 0 0



199800755010

Template for drawer drilling and 3 way adjustable clip fixing

Clip part number **1 0 750** 00 010 1 0 0



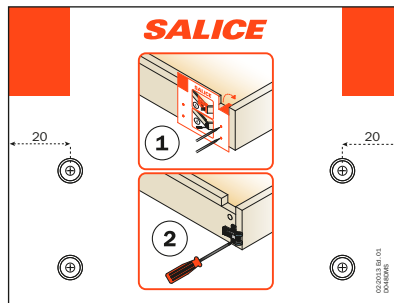
Stabilizer for drawers



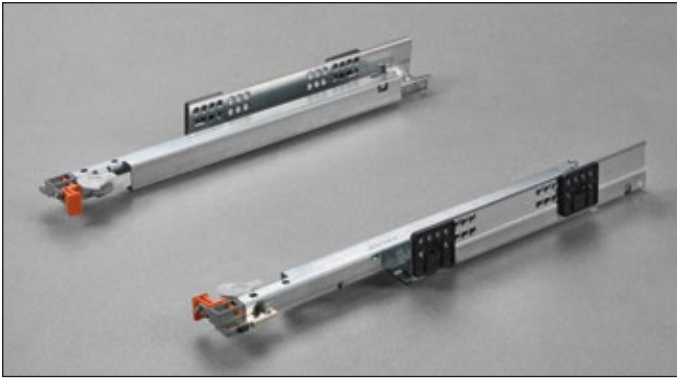
- To be fitted on both right and left sides of the drawer
- Cam adjustment to allow a perfect bearing of the wheels to the cabinet sides
- Combined with Push runners it allows the opening also by pressing the extremities of the drawer
- It improves the overall stability of the drawer

DATA FOR ORDER

| PACKING | PART NUMBER |
|--|---------------|
| Envelope with 2 pieces (2 mounting plates, 2 roller carriages and assembly instructions) | 6869400000202 |
| Box 300 pieces | 6869400000200 |



Spacer for Futura runners



Thickness
4,5 mm



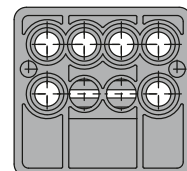
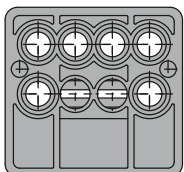
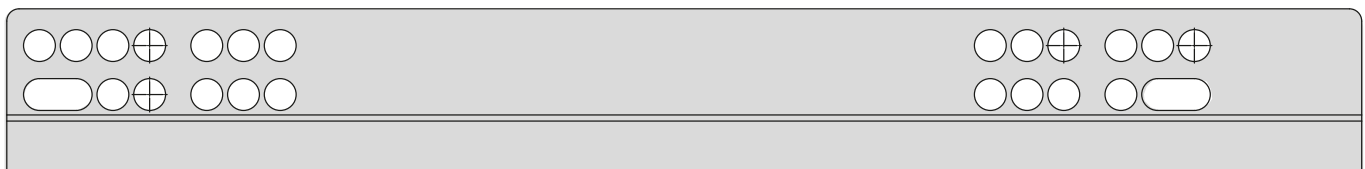
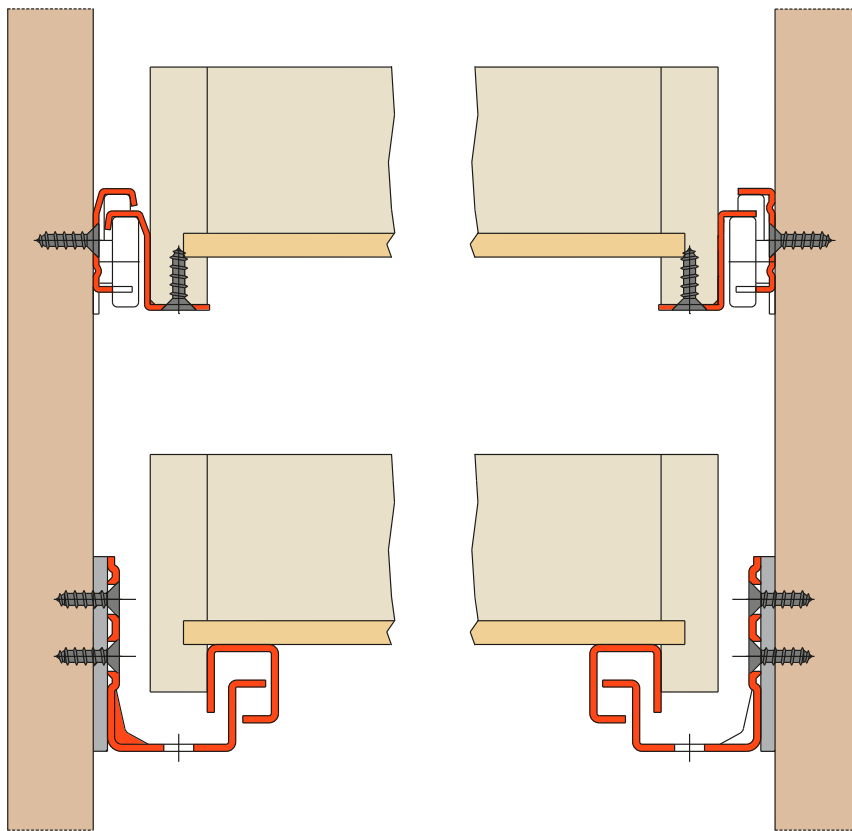
Thickness
6 mm



DATA FOR ORDER

Packing: 1 x 800 pieces

| DESCRIPTION | PART NUMBER |
|---------------|-------------|
| Spacer 4,5 mm | 825104145 |
| Spacer 6 mm | 825104160 |



ARTURO SALICE S.p.A.

VIA PROVINCIALE NOVEDRATESE, 10
22060 NOVEDRATE (COMO) ITALIA
TEL. 031 790424
FAX 031 791508
info.salice@salice.com
www.salice.com

DEUTSCHE SALICE GMBH

RUDOLF DIESEL STR. 10
POSTFACH 1154
74382 NECKARWESTHEIM
TEL. 07133 9807-0
FAX. 07133 9807-16
info.salice@deutschesalice.de
www.deutschesalice.de

SALICE UK LTD.

KINGFISHER WAY
HINCHINGBROOKE BUSINESS PARK
HUNTINGDON CAMBS PE 29 6FN
TEL. 01480 413831
FAX. 01480 451489
info.salice@saliceuk.co.uk
www.saliceuk.co.uk

DEUTSCHE SALICE GMBH

VERKAUFSBÜRO NORD
RINGSTRASSE 36/A30 CENTER
32584 LÖHNE
TEL. 05731 15608-0
FAX. 05731 15608-10
vknord@deutschesalice.de
www.deutschesalice.de

SALICE AMERICA INC.

2123 CROWN CENTRE DRIVE
CHARLOTTE NC. 28227
TEL. 704 8417810
FAX. 704 8417808
info.salice@saliceamerica.com
www.saliceamerica.com

SALICE FRANCE S.A.R.L.

ROUTE DE GOA ZAC LES 3 MOULINS
06600 ANTIBES
TEL. 0493 330069
FAX. 0493 330141
info.salice@salicefrance.com
www.salicefrance.com

SALICE CANADA INC.

4025 SLADEVIEW CRESCENT
UNIT # 7-9
MISSISSAUGA, ONTARIO L5L 5Y1
TEL. 905 8208787
FAX. 905 8207226
info.salice@salicecanada.com
www.salicecanada.com

SALICE ESPAÑA, S.L.U.

CALLE COPÉRNICO, 11
POLÍGONO INDUSTRIAL
COLL DE LA MANYA
08403 GRANOLLERS (BARCELONA)
TEL. 938 46 88 61
FAX 938 49 11 97
info.salice@saliceespana.es
www.saliceespana.es